



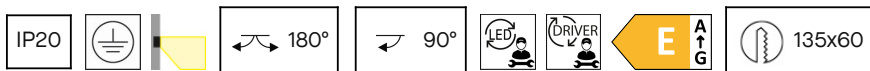
Gamma Recessed

Josep Patsi

Reading lights Gamma Recessed LED 3.2W LED warm-white 2700K ON-OFF Satin nickel 137lm

Technical features

- Luminaire total power: 3.2W
- Real lumens: 137
- Real lm/W: 43
- Correlated Colour Temperature (CCT): LED warm-white 2700K
- Lens / reflector angle: MEDIUM 31°
- UGR: <=16
- Structure material: Steel, Aluminium, Plastic
- Structure finish: Satin nickel
- Driver Brand: HEP
- Voltage / frequency: 100-277V/50-60Hz
- Dimming protocol: ON-OFF
- Power Factor: 0.60
- Useful life: 50,000h L80B20
- Warranty: 5 years



Luminotechnic features

- CRI: 92
- MacAdam steps: 3
- Photobiological risk: RG2
- UGR crosswise: 14.3
- UGR lengthwise: 14.2

Lampholder	Quantity	Light source power (W)	Correlated Colour Temperature (CCT)
LED	1	2.1W	LED warm-white 2700K

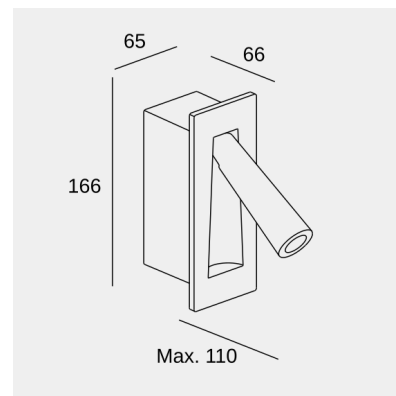
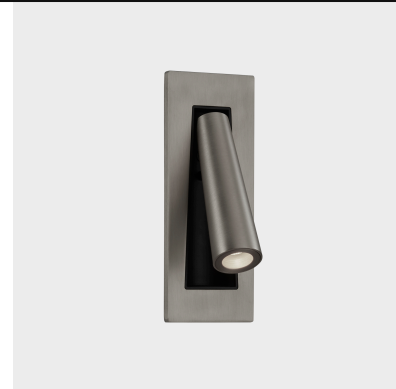


Image may not match reference. LedsC4 reserves the right to amend any of the product's components. The data related to flux, power and colour temperature may be subject to changes made by the manufacturer.

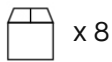


Gamma Recessed

Josep Patsi

Reading lights Gamma Recessed LED 3.2W LED warm-white 2700K ON-OFF Satin nickel 137lm

Logistics



x 8

Net weight (kg): 0.69

Packaged weight (kg): 0.87

Packaging: 198mm x 105mm x 131mm

Image may not match reference. LedsC4 reserves the right to amend any of the product's components. The data related to flux, power and colour temperature may be subject to changes made by the manufacturer.