

METROPOL

RP-E-2003



Rakumba

WWW.RAKUMBA.COM
SALES@RAKUMBA.COM

ALL RIGHTS RESERVED © RAKUMBA, 2020
SURREAL VISUALIZATIONS: ALEXIS CHRISTODOULOU

Rakumba



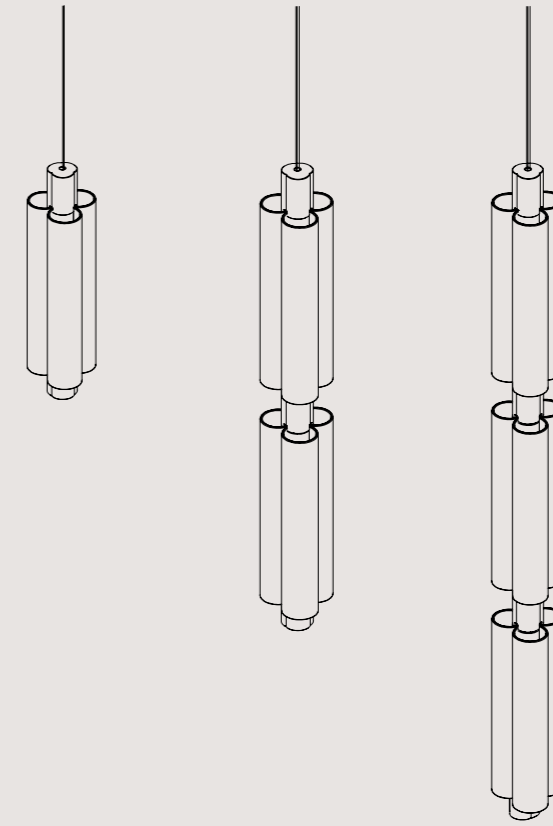




“Every single design I produce is very personal, developed using my intuition and instinct, and with a partner who shares my vision and responsibility for products.”

————— **Sebastian Herkner**





METROPOL

RP-E-2003

Like a pearl hanging from a thread, Metropol begins with a single lamp. Its clever form delivers beauty as a sophisticated wall sconce or as stacked singles, doubles and triples – suspended as simple pendants or curated into organic groupings and grand chandeliers.

Central to Metropol's design is the distinctive trifoliate form in combination with the innovative use of light. Where shadows would normally exist along the converging line of each form, in Metropol, these fine seams are used to wrap a beautiful, soft cast of light around the luminaire.

Metropol's strength is in its quiet charisma. Its design is one of intricacy and sophistication.

Rather than overpowering a space, it leaves room for the architecture to stand out, making it a particularly versatile lighting collection. Through its modular design and refined finishes, Metropol finds its full creative potential in the hands of the architect and designer.



“ it’s about craftsmanship, about quality, about real materials and function, but also about the beauty of a product. I’m always trying to balance the beauty with the function of an object.”

————— **Sebastian Herkner**



“Glass - it’s precious, so you have to take care of it. And there is no better material to work with, for light.”

————— *Sebastian Herkner*





MATERIALS & FINISHES



ANODISED GOLDEN | FROSTED WHITE



ANODISED GOLDEN | FROSTED PINK



ANODISED BLACK | FROSTED WHITE



ANODISED BLACK | FROSTED PINK



OPTIONS

PENDANT

- MODEL:
- SINGLE SMALL PENDANT
 - DOUBLE SMALL PENDANT
 - TRIPLE SMALL PENDANT
 - SINGLE LARGE PENDANT
 - DOUBLE LARGE PENDANT
 - TRIPLE LARGE PENDANT

- FINISH:
- ANODISED BLACK
 - ANODISED GOLDEN
 - CUSTOM POWDERCOAT

- GLASS:
- FROSTED WHITE
 - FROSTED PINK

- COLOUR TEMP:
- 2700K (STANDARD)
 - 3000K
 - 4000K

- DIMMING:
- NON DIMMABLE (REMOTE DRIVER)
 - PHASE CUT/TRIAC (REMOTE DRIVER)
 - DALI/SWITCH-DIM (REMOTE DRIVER)
 - 1-10V (REMOTE DRIVER)

- FLEX:
- ULTRA FINE WHITE BRAIDED
 - ULTRA FINE BLACK BRAIDED

- SUSPENSION LENGTH:
- 2M
 - 5M
 - CUSTOM (MAX 10M)

- SEAMLESS CANOPY:
- BLACK
 - WHITE
 - SILVER
 - BRASS
 - NONE

WALL

- MODEL:
- SMALL WALL
 - LARGE WALL

- FINISH:
- ANODISED BLACK
 - ANODISED GOLDEN

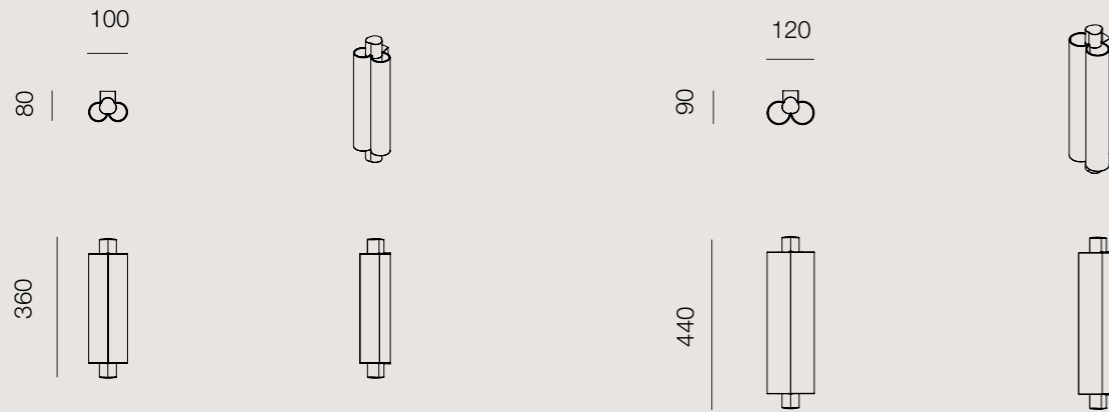
- GLASS:
- FROSTED WHITE
 - FROSTED PINK

- COLOUR TEMP:
- 2700K (STANDARD)
 - 3000K
 - 4000K

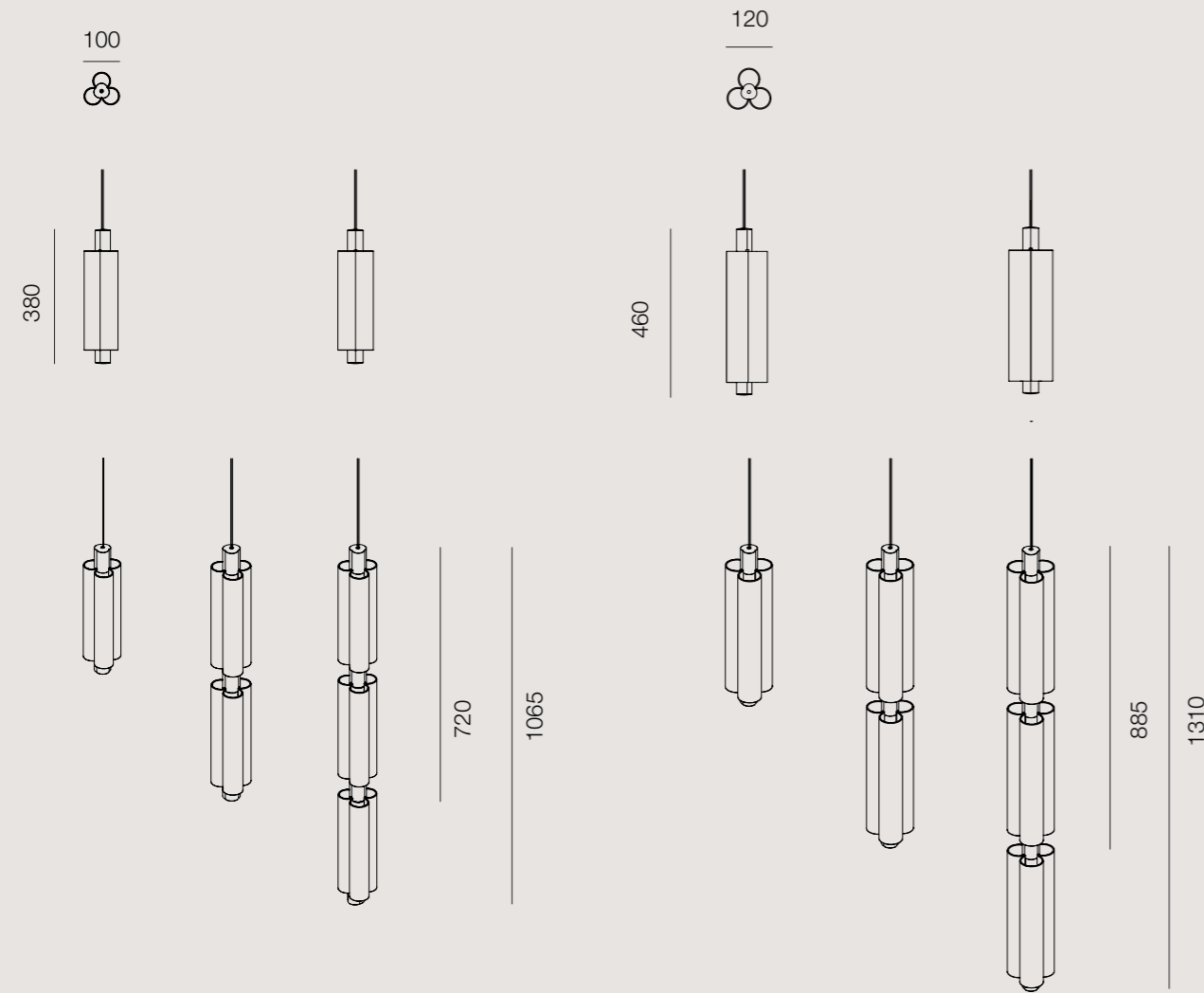
- DIMMING:
- PHASE CUT/TRIAC & 1-10V (INTEGRATED) - STANDARD
 - PHASE CUT/TRIAC & 1-10V (REMOTE)
 - NON DIMMABLE (INTEGRATED)
 - NON DIMMABLE (REMOTE)
 - DALI/SWITCH-DIM (REMOTE)

- IP RATING (WATER RESISTANCE):
- IP20 (STANDARD)
 - IP44

WALL



PENDANT



DATA

PENDANT

RP-E-2003	SINGLE SMALL PENDANT	DOUBLE SMALL PENDANT	TRIPLE SMALL PENDANT	SINGLE LARGE PENDANT	DOUBLE LARGE PENDANT	TRIPLE LARGE PENDANT
LIGHTSOURCE	INTEGRATED LED					
POWER	15W	30W	45W	20W	40W	60W
LUMENS (SOURCE)	1350lm	2700lm	4050lm	1890lm	3780lm	5670lm
CRI	CRI90					
PRIMARY VOLTAGE (TO DRIVER)	220-240VAC					
SECONDARY VOLTAGE (TO FITTING)	24VDC CONSTANT VOLTAGE					
PRODUCT WEIGHT	1.6kg	3.2kg	4.8kg	2.2kg	4.3kg	6.5kg
PACKED WEIGHT (FITTING)	2.7kg	4.5kg	6kg	3.3kg	4.9kg	7.6kg
PACKED DIMENSIONS	20x15x44CM	33x15x44CM	46x15x44CM	22x16x44CM	36x16x44CM	52x16x44CM
DRIVER LOCATION: NON DIMMABLE OPTION	REMOTE	REMOTE	REMOTE	REMOTE	REMOTE	REMOTE
DRIVER LOCATION: PHASE CUT/TRIAC OPTION	REMOTE	REMOTE	REMOTE	REMOTE	REMOTE	REMOTE
DRIVER LOCATION: DALI / SWITCH-DIM OPTION	REMOTE	REMOTE	REMOTE	REMOTE	REMOTE	REMOTE
DRIVER LOCATION: 1-10V OPTION	REMOTE	REMOTE	REMOTE	REMOTE	REMOTE	REMOTE
IP RATING	IP20					
L70	60,000 HOURS					
APPROVALS	AUSTRALIA, EUROPE, NEW ZEALAND					

WALL

RP-E-2003	SMALL WALL	LARGE WALL	SMALL WALL (WATER RESISTANT)	LARGE WALL (WATER RESISTANT)
LIGHTSOURCE	INTEGRATED LED			
POWER	10W	14W	3W	3.6W
LUMENS (SOURCE)	900lm	1260lm	300lm	360lm
CRI	CRI90		CRI80	
PRIMARY VOLTAGE (TO DRIVER)	220-240VAC			
SECONDARY VOLTAGE (TO FITTING)	220-240VAC (INTEGRATED DRIVER MODEL ONLY)			
PRODUCT WEIGHT	1.6kg	2.1kg	1.6kg	2.1kg
PACKED WEIGHT (FITTING)	1.9kg	2.4kg	1.9kg	2.4kg
PACKED DIMENSIONS	14x13x42CM	16x15X50CM	14x13x42CM	16x15X50CM
DRIVER LOCATION: NON DIMMABLE OPTION	REMOTE		INTEGRATED	
DRIVER LOCATION: PHASE CUT/TRIAC OPTION	INTEGRATED		INTEGRATED	
DRIVER LOCATION: DALI OPTION	REMOTE		INTEGRATED	
DRIVER LOCATION: 1-10V OPTION	INTEGRATED		INTEGRATED	
IP RATING	IP20		IP44	
L70	60,000 HOURS			
APPROVALS	AUSTRALIA, EUROPE, NEW ZEALAND			



SEBASTIAN HERKNER

Sebastian Herkner established his design studio in Offenbach, Germany in 2006. Since that time, he has designed furniture, lighting and products for brands all around the world. Sebastian's design ethos is driven by quality and function as well as tradition and innovation. His designs are very personal, developed using intuition and instinct, working with brands who share his vision and responsibility for products.

Named Maison & Objet's 2019 Designer of the Year, Sebastian's works have won numerous accolades – among others the IF Award, the Iconic Award and the Elle Deco International Design Award (EDIDA).

Rakumba is the first Australian brand collaboration for Sebastian. Despite operating on opposite sides of the globe, the collaboration with Rakumba's product development team has been close and intense, continuing our international design legacy and yielding results that speak for themselves.