

# MITO - Floor INSTALLATION INSTRUCTIONS

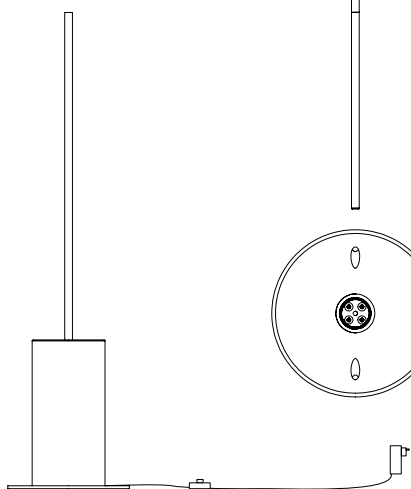
CODE - RP-E-1702

REVISION 11.05.21

REVISED BY: DT

**Rakumba**

- ① Remove cover plate and loosen screws with Hex key as per below image.

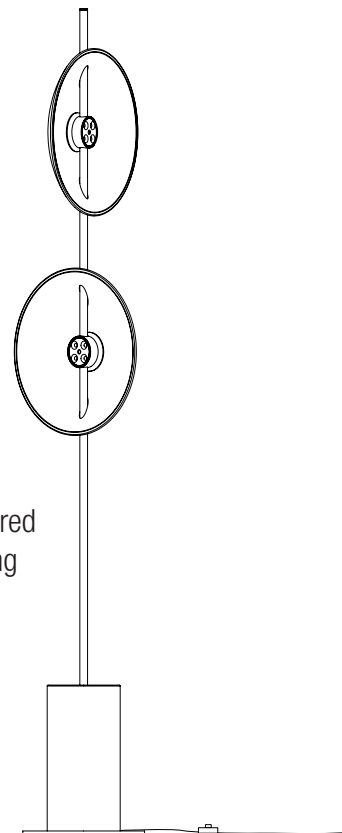


- ② Carefully pass base rod through the oval reflector hole, taking care to maintain a straight alignment.  
Warning: tilting reflector during this step can damage the fragile edge of the hole and void warranty.

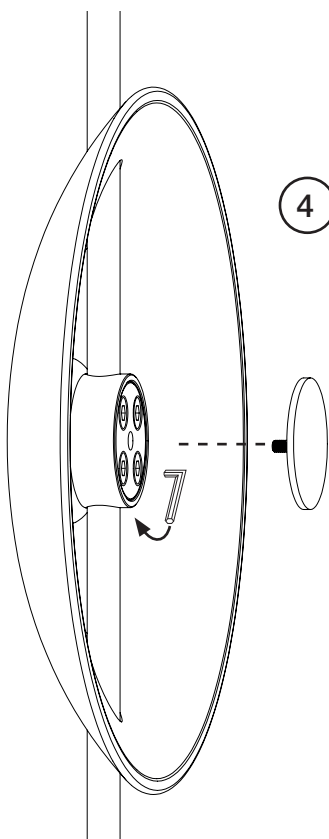
Plug the rod end into the central hub, ensuring engagement before releasing.

Repeat for the Mid-Rod, Top Reflector and Top-Rod.

- ③ Rotate reflectors to desired position before tightening screws.



- ④ Evenly tighten 4x clamp screws with Hex key and replace cover plate.



- ⑤ Plug in Mito and use foot switch to turn on.  
To adjust swivel position, remove coverplate and temporarily loosen screws.  
Always loosen screws before swiveling, always tighten screws once adjusted.

- ⑥ **FOOT SWITCH CONTROLS**  
Single brief press -> On/Off  
Press and hold -> Dim Up/Down  
Long press when off -> On at minimum output

