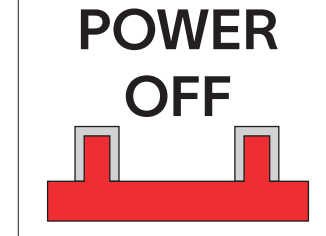
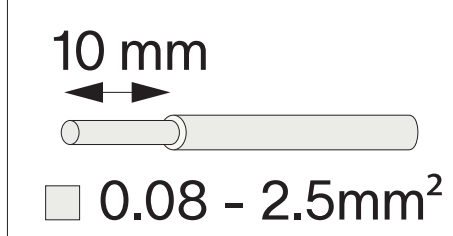
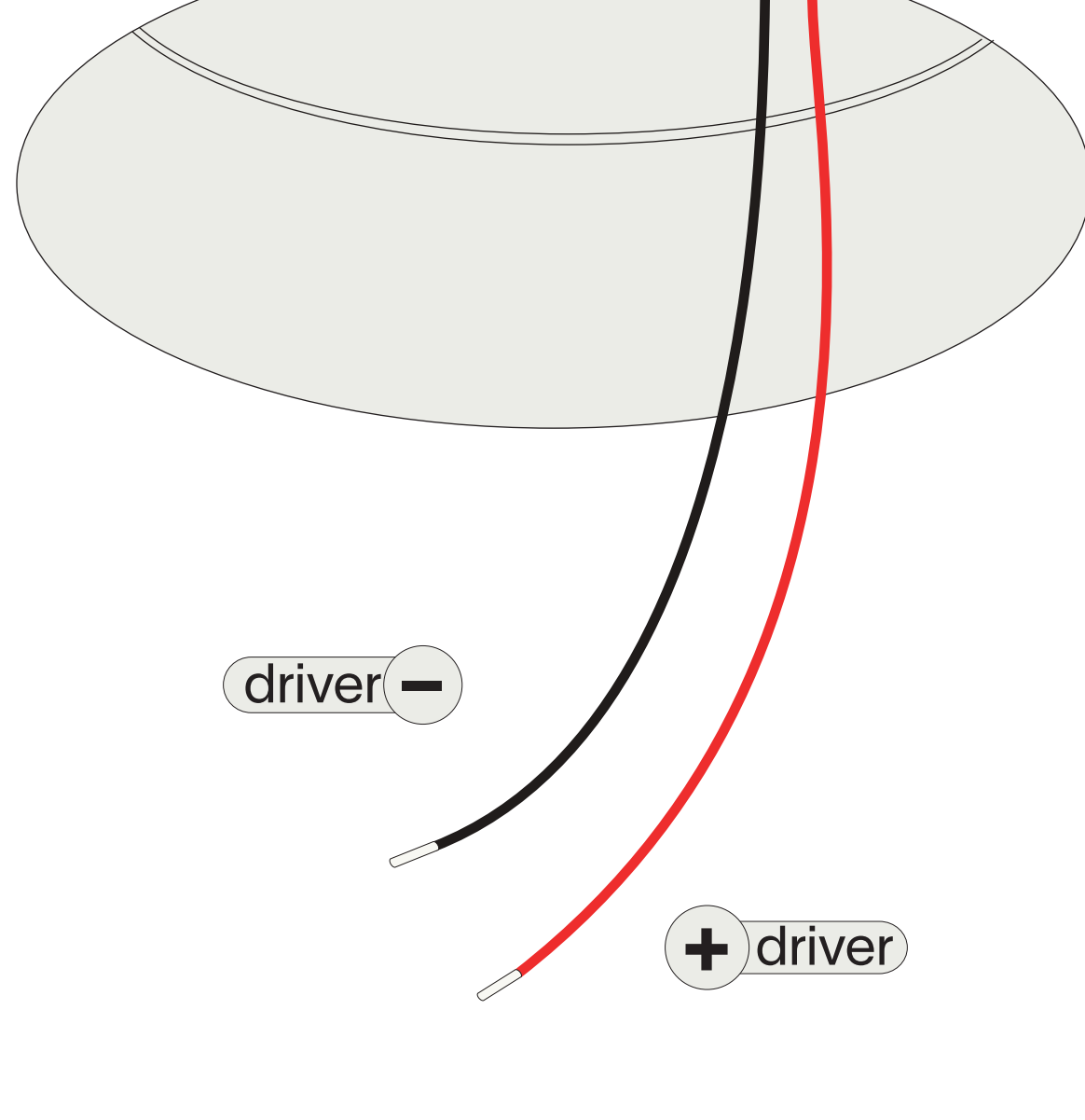


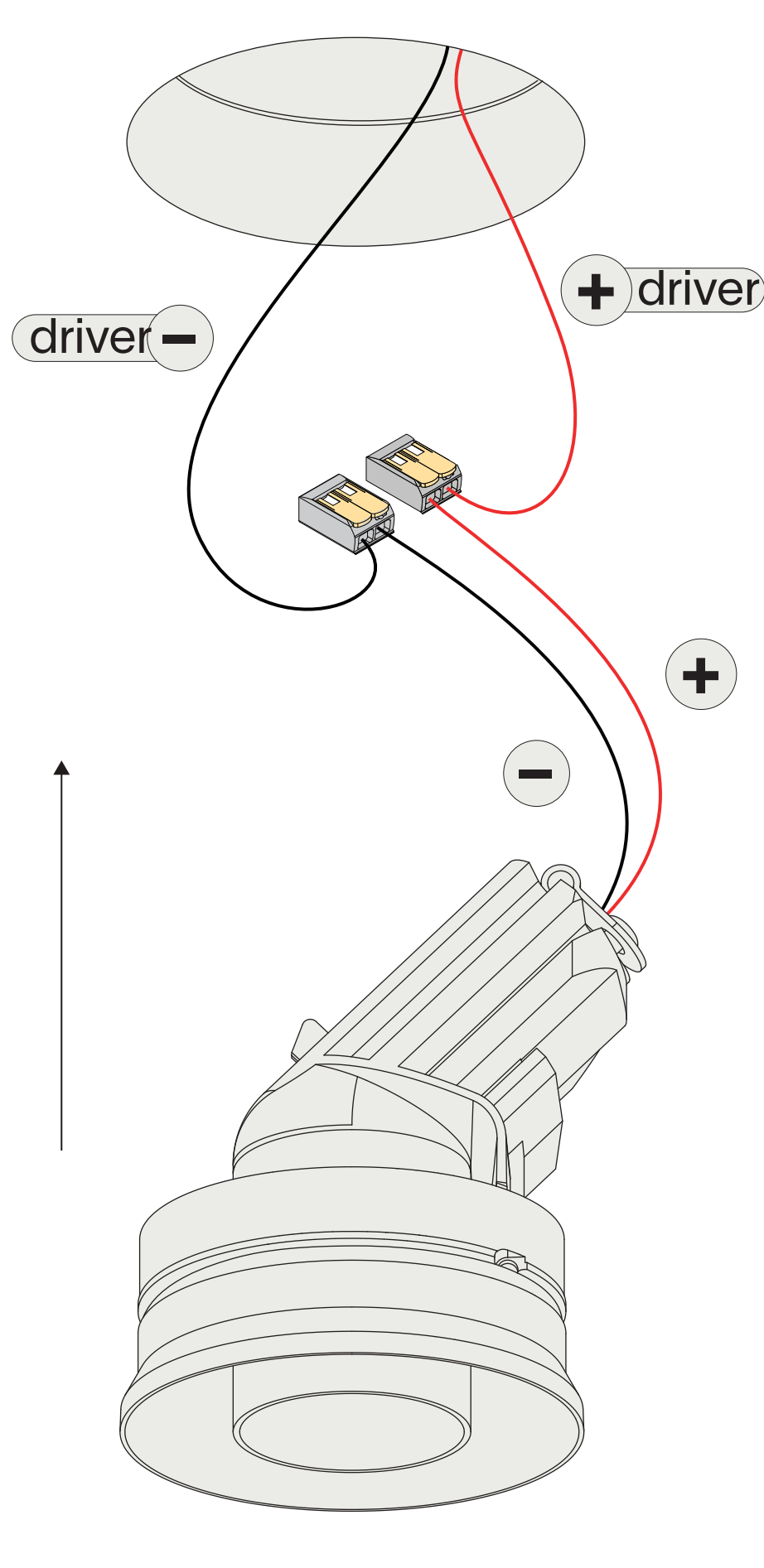
trimless spot adjustable 2.0 installation instruction

1



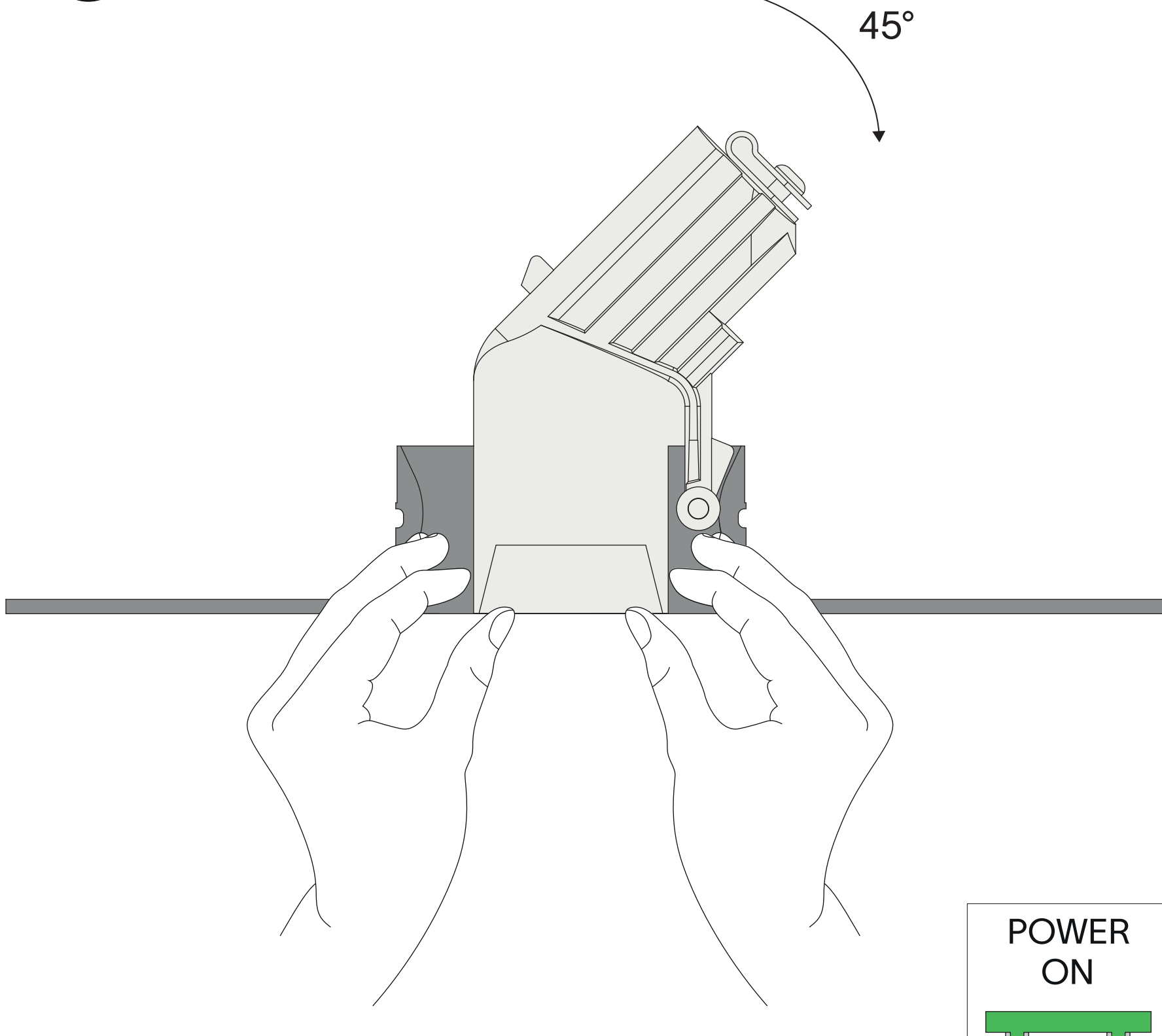
Turn the power off.

2



Connect the wires with the included connectors.
For serial connections, respect polarity.
Combine with a prado LED-driver.

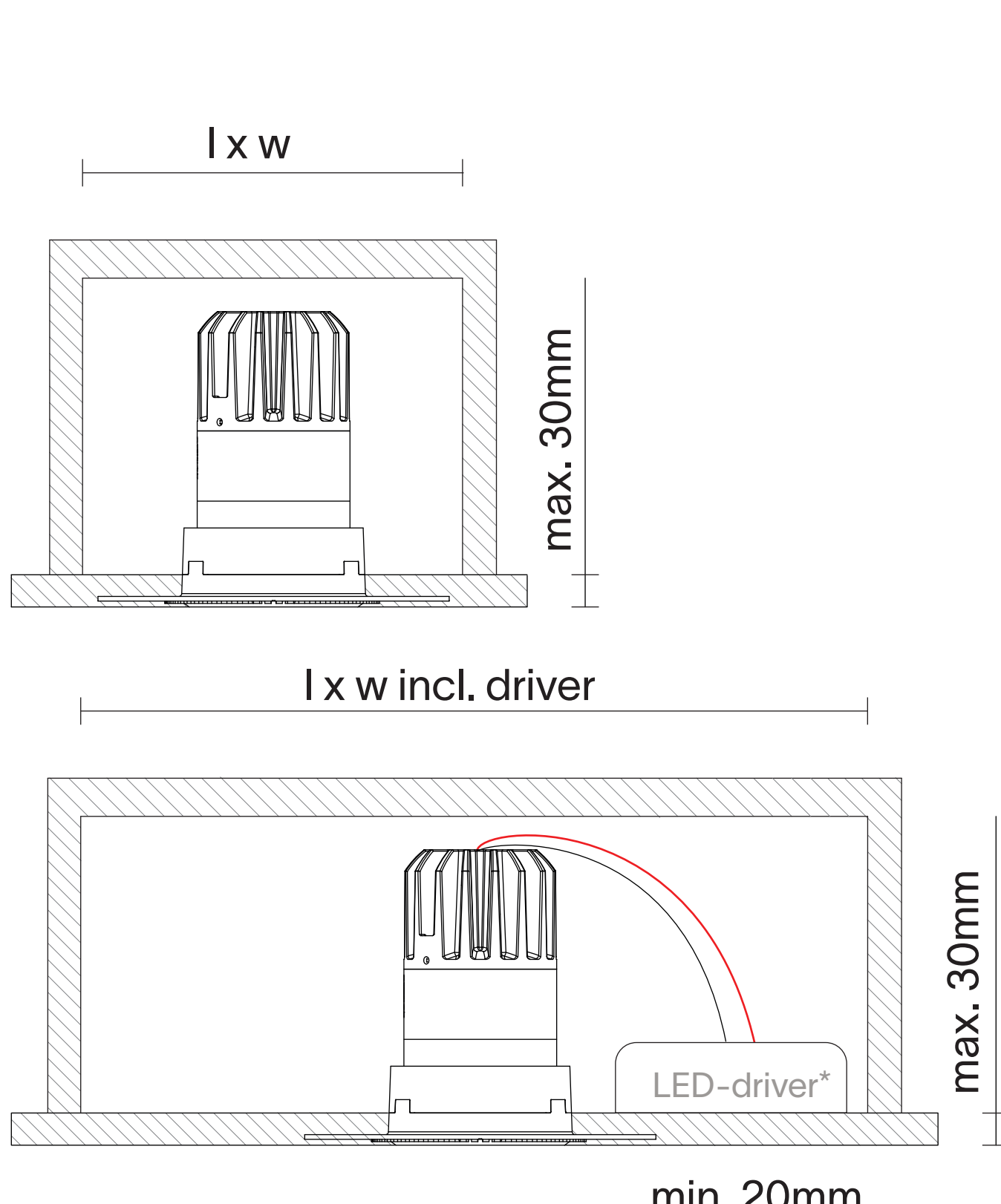
3



Tilt the luminaire as desired.

4

recommended free air dimensions



constant current (mA)	l x W (mm)	l x W incl. driver (mm)
350	100 x 100	200 x 200
500	200 x 200	250 x 250
700	350 x 350	350 x 350

Thank you for choosing prado.

