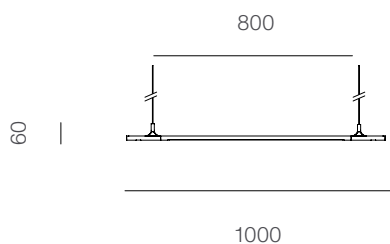


GALLERY - PENDANT

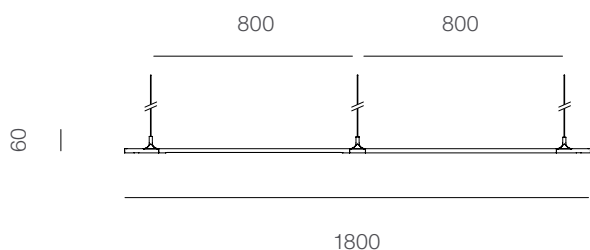
INSTALLATION INSTRUCTIONS

GALLERY PENDANT CONFIGURATIONS

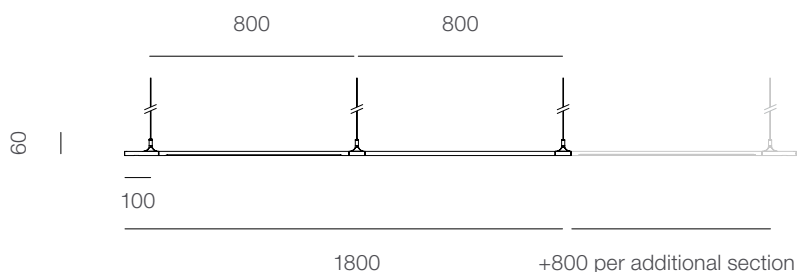
PENDANT 1 SECTION



PENDANT 2 SECTIONS



PENDANT 3, 4, 5 SECTIONS



PENDANT 3 SECTIONS LENGTH: 2600MM
PENDANT 4 SECTIONS LENGTH: 3400MM
PENDANT 5 SECTIONS LENGTH: 4200MM

INSTALLATION CARE

1. Handle fitting with care. Avoid knocking, rubbing or scratching the surface finish.
2. Use gloves during installation to avoid fingerprints.

GALLERY - PENDANT

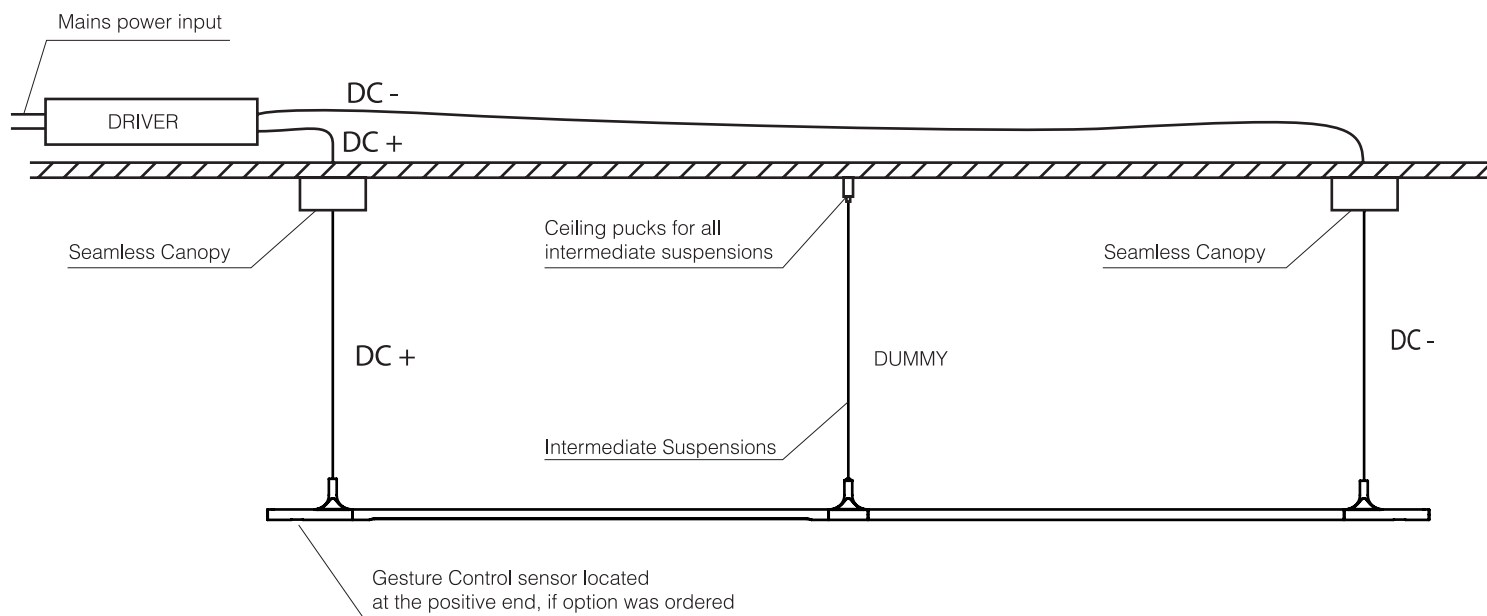
INSTALLATION INSTRUCTIONS

Rakumba

RP-E-2307

REVISION 16.09.24

REVISED BY: JC



GALLERY - PENDANT

Rakumba

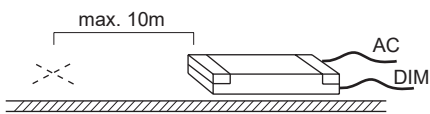
INSTALLATION INSTRUCTIONS

RP-E-2307

REVISION 16.09.24

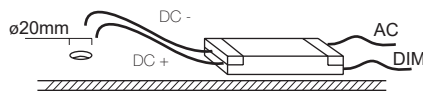
REVISED BY: JC

- 1** Install the supplied 24VDC driver within the ceiling or wall cavity up to 10m away from the intended arrangement. Connect mains power (and dimming signal lines if required) into the driver input.

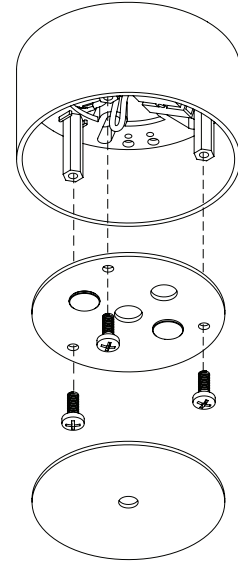


- 2** Run low voltage supply cable from the driver positive output across to the first suspension point. Run low voltage supply cable from the driver negative output to the last suspension point.

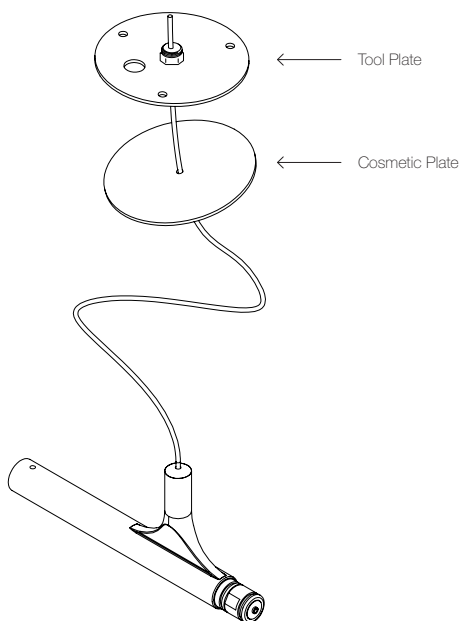
If the gesture control option has been ordered, note that the sensor is at the positive end of the pendant. Check the desired position before installing.



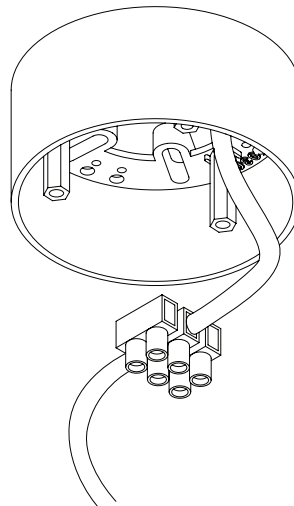
- 3** Install canopies at the first and last suspension points. Remove tool plate from Seamless Canopies and fix canopy shells to ceiling.



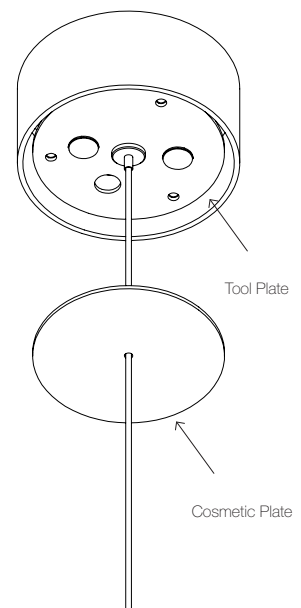
- 4** Once the seamless canopies have been installed at the first and last suspension points, pass the flex through the canopy cosmetic plate, then through the cable adjuster on the tool plate (ensure correct orientation - the cable adjuster sleeve should point down towards the pendant).



- 5** Using the terminal block, connect the flex from the pendant to the in-ceiling supply cable, carefully ensuring correct polarity. Depending on the pendant configurations, connect all dummy flex to ceiling pucks provided (see step 7)



- 6** Reinstall tool plate and Reinstall cosmetic plate



GALLERY - PENDANT

Rakumba

INSTALLATION INSTRUCTIONS

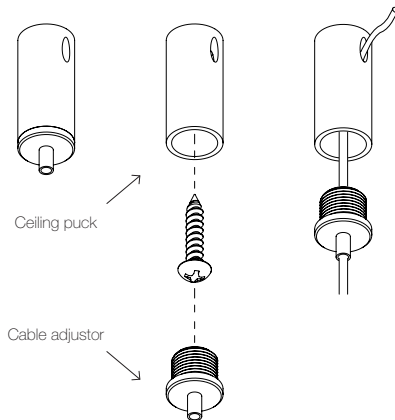
RP-E-2307

REVISION 16.09.24

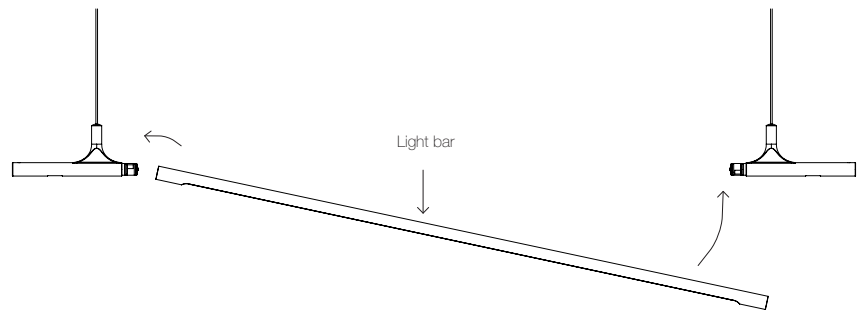
REVISED BY: JC

- 7** For the intermediate suspension, use the ceiling puck to suspend the dummy cable.

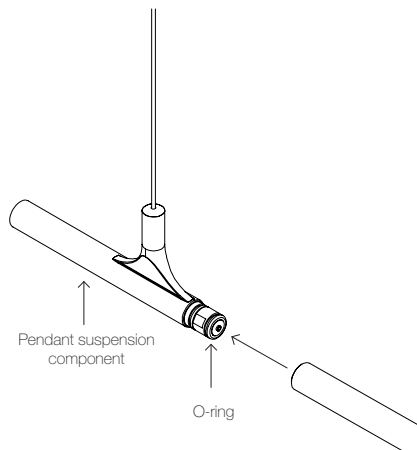
- 1) Unscrew the cable adjuster from the ceiling puck.
- 2) Fasten the ceiling puck to the ceiling (Fastener not supplied).
- 3) Feed the dummy cable through the cable adjuster, adjust the cable length as necessary. Feed the cable through the exit hole on the side.



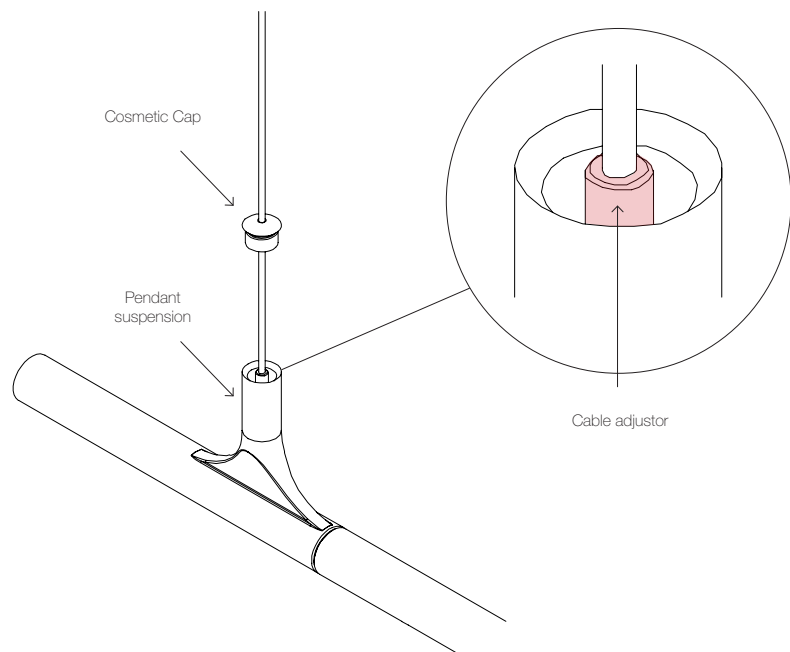
- 8** Once all Gallery Pendant Suspension components are installed at the appropriate height (approx. within 5-10mm of the desired suspension height), the light bar/s can be installed to connect the pendant together. Trim excess dummy cables from ceiling puck.



- 9** The light bar sleeves over the o-rings on the Pendant suspension components. Slide it on until the magnetic connectors make contact and the light bar cannot push on any further. Repeat at each end for each individual light bar.



- 10** The height of the Gallery pendant can be fine-tuned to ensure the pendant sits horizontal via the cable adjuster hidden inside the Pendant Suspension. This is only used for minor adjustments. To adjust the height, unscrew the cosmetic cap, then push down on the cable adjuster to loosen, and pull/push the cable until the exact height is obtained. Let go of the cable adjuster and it will lock onto the cable at the desired height.



GALLERY - PENDANT

Rakumba

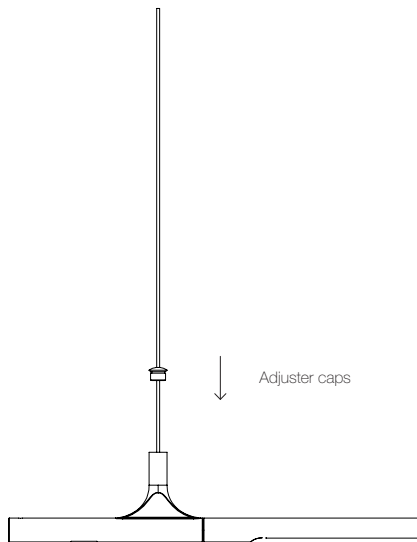
INSTALLATION INSTRUCTIONS

RP-E-2307

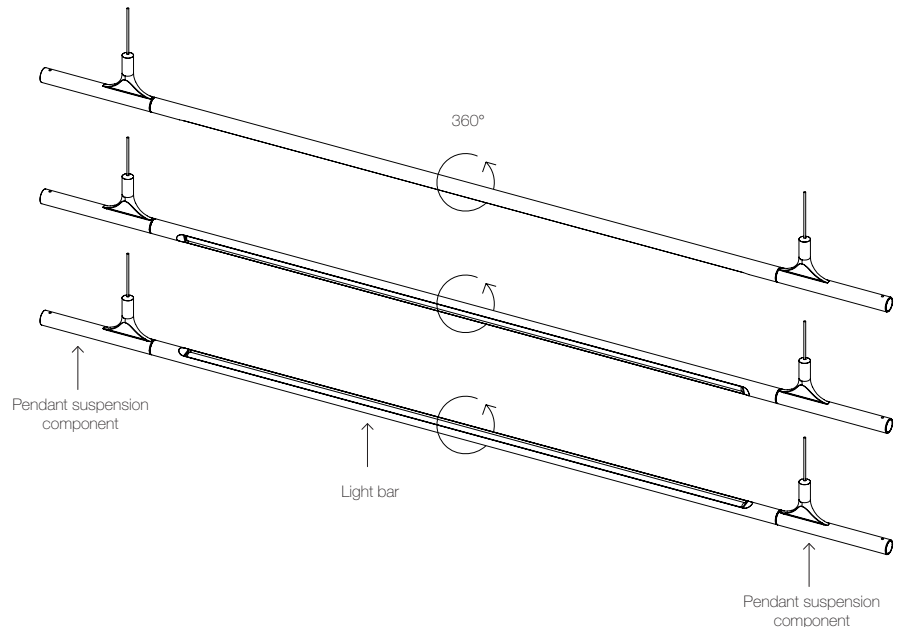
REVISION 16.09.24

REVISED BY: JC

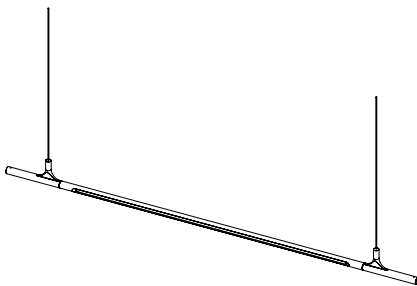
- 11** Once all adjustments have been made and the pendant is sitting horizontally, re-install the cosmetic caps by screwing them down over the cable adjuster.



- 12** Adjusting the lighting direction of the pendant. Whilst holding the Pendant Suspension component, rotate the light bar until it is in position with the light projecting to the desired angle. Repeat for each individual light bar in the assembly.



- 13** The installation of the Gallery pendant is now complete.



- 14** Dimming operation for Gesture Control Option. One end of the pendant will have an infrared sensor opening if this options was ordered.

ON - OFF: Swipe hand under sensor

Dim: Hold hand under sensor longer than 1 second to begin dimming

Troubleshooting

Issue: Fitting not illuminating.

Potential Resolution 1: Mains power may have been incorrectly connected directly to the lights without the low voltage driver. Do not touch any part of the system and immediately unpower the system to prevent danger. Check if this was the issue - if yes, all lights that were connected must be retired or returned for repairs, as the internal components may be damaged and unsafe.

Potential Resolution 2: Power is not correctly connected to the driver, fittings, or the dimming system is incorrectly set up. Check all connection points of the cables, and check fittings + driver with a multimeter to confirm it is correctly passing 24VDC at each junction.

SAFETY PRECAUTIONS

- The installation must be performed by a licensed electrician.
- The lights all receive low voltage from a driver. NEVER connect mains power directly to a light.
- Modification of any fixtures that is not clearly stated or intended may void warranty or result in unsafe situations.
- Rakumba Lighting will not be held responsible for any damage caused by improper installation or assembly.