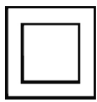


KOBAN E

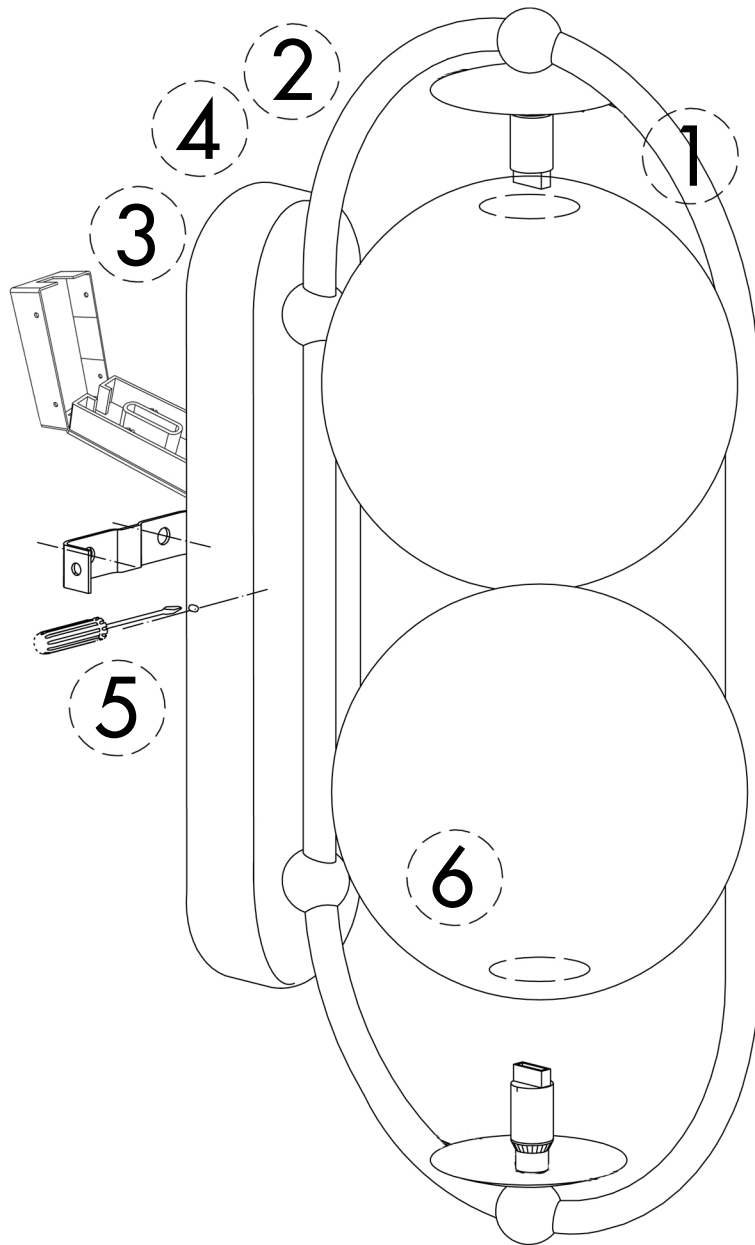


230V MAX. 2 x 12W G9

Assembly instructions

WARNING: Assembly lamp with the power off.

1. Unscrew the screws on both sides backplate. Fix the metal mounting arm on the surface, which is to be attached lamp.
2. Connect the power cables to the connection block, clamp screws tightened, close the connection block.
3. Put backplate onto the mounting arm so that holes into the mounting arm and the backplate were in one line. Screw the screws.
4. Assembly light source in the bulb holder.
5. Tighten the lampshade.



Used or broken electrical equipment must not be thrown into the trash bin together with other waste. Used device should be taken to a point of separate collection of municipal waste or a point of utilization of electrical equipment. Proper waste segregation is a very important aspect of environmental protection and must be strictly observed.

WARNING: The installation should be performed by a qualified electrician.

Nowodworcowa 15, 81-581 Gdynia, tel. 736_812_848, info@ummo.pl

UMMO