

ALPS MONO
LED SURFACE MOUNTED SPOTLIGHT
TRUE COLOUR CRI 98 | REMOTE DRIVER



DETAILS

Tilt	0-90°
Rotation	355°
IP Rating	IP20
Class	I
Standards	CE / ROHS
Fire Rated	60+ minutes
Material	Aluminium
Fixation	Surface mounted
Warranty	5 Years

KEY POINTS

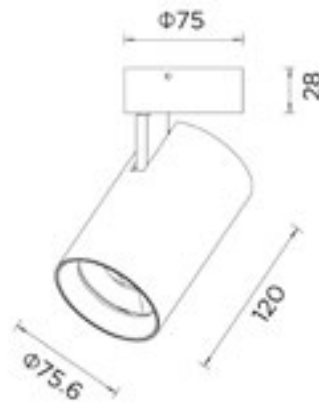
- True Colour CRI 98, amazingly high level of colour rendering
- R9 95, reds are redder than ever
- Remote driver - can be mounted up to 30m away
- Dim to dark with our range of fully tested drivers

DIMENSIONS



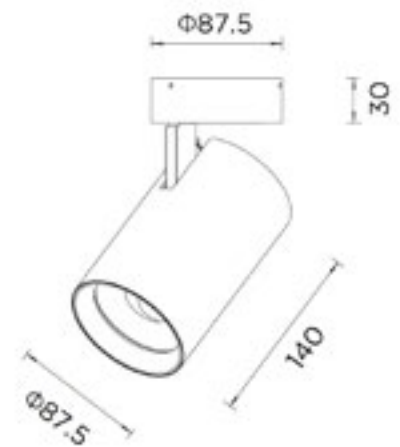
15W

Lens Diameter: Ø62mm
Length: 100mm



25W

Lens Diameter: Ø76mm
Length: 120mm



35W

Lens Diameter: Ø88mm
Length: 140mm

SPECIFICATION

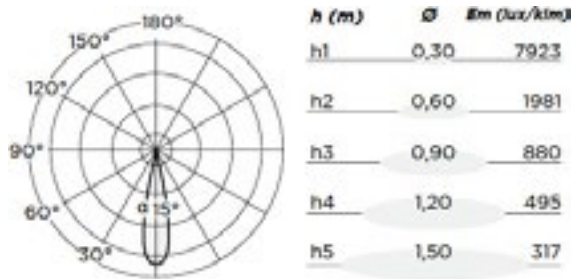
Power	15W			25W			35W		
Beam Angle	15°	24°	36°	15°	24°	36°	15°	24°	36°
							45°	60°	
Binning SDCM	<3 Step								
CRI	98								
R9	95								
TM30 Rf Rg	Rf 95 Rg 95								
UGR	<19								
Cut-Off Angle	30°								
LED Type	Philips Lumileds COB LED								
LED Lifetime (Ave.)	50,000 hrs								
Voltage	220-240V								
Current	350mA								
Supported Protocols	Mains Dim / TRIAC / 0-10V / DALI								
Dim to Dark	0.1% Lux								
Wiring	N/A								
Product code	DLD/ALPSMONO								

PHOTOMETRIC DATA FOR 15W

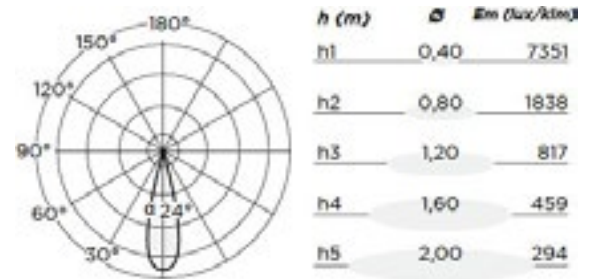
Power	CCT	Beam Angle Optics		Delivered Output	Efficacy
15W	2700K	15°	Spot	1056 lm	71 lm/W
		24°	Medium	1212 lm	82 lm/W
		36°	Wide	1193 lm	81 lm/W
15W	3000K	15°	Spot	1112 lm	75 lm/W
		24°	Medium	1276 lm	86 lm/W
		36°	Wide	1256 lm	85 lm/W
15W	4000K	15°	Spot	1223 lm	83 lm/W
		24°	Medium	1404 lm	95 lm/W
		36°	Wide	1382 lm	94 lm/W

PHOTOMETRIC DIAGRAMS FOR 15W

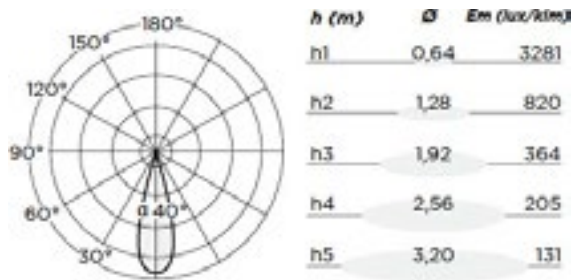
15° Spot



24° Medium



36° Wide

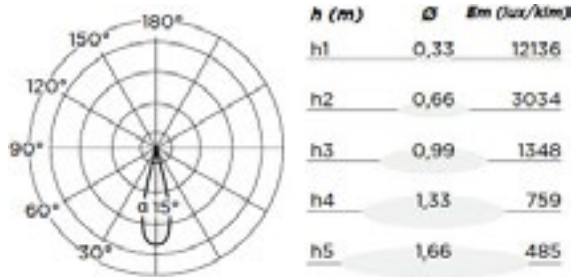


PHOTOMETRIC DATA FOR 25W

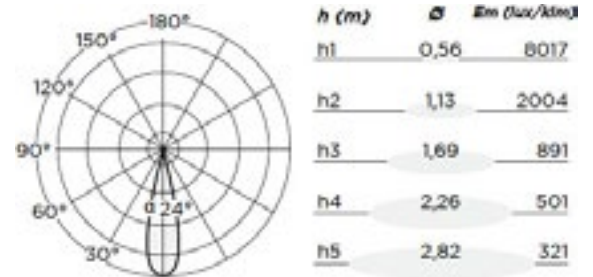
Power	CCT	Beam Angle Optics		Delivered Output	Efficacy
25W	2700K	15°	Spot	2191 lm	81 lm/W
		24°	Medium	2297 lm	85 lm/W
		36°	Wide	2182 lm	81 lm/W
25W	3000K	15°	Spot	2306 lm	85 lm/W
		24°	Medium	2418 lm	89 lm/W
		36°	Wide	2297 lm	85 lm/W
25W	4000K	15°	Spot	2537 lm	94 lm/W
		24°	Medium	2660 lm	98 lm/W
		36°	Wide	2527 lm	94 lm/W

PHOTOMETRIC DIAGRAMS FOR 25W

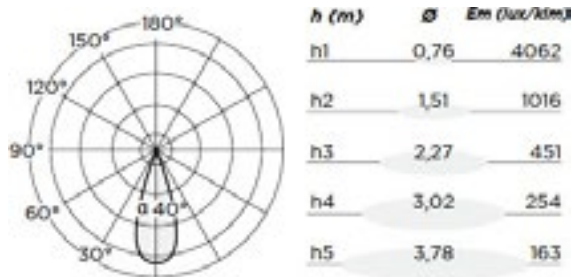
15° Spot



24° Medium



36° Wide

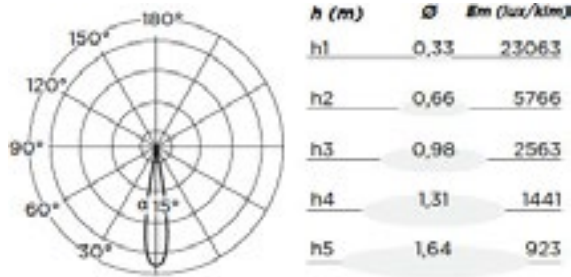


PHOTOMETRIC DATA FOR 35W

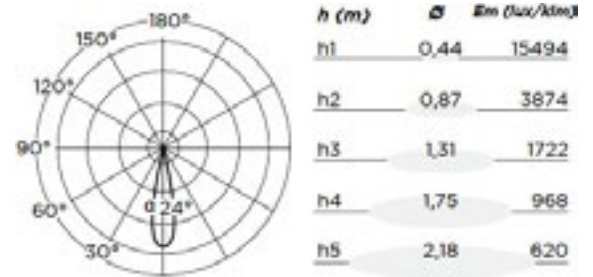
Power	CCT	Beam Angle Optics		Delivered Output	Efficacy
35W	2700K	15°	Spot	3159 lm	76 lm/W
		24°	Medium	3537 lm	83 lm/W
		36°	Wide	3230 lm	81 lm/W
35W	3000K	15°	Spot	3325 lm	80 lm/W
		24°	Medium	3723 lm	87 lm/W
		36°	Wide	3400 lm	85 lm/W
35W	4000K	15°	Spot	3658 lm	88 lm/W
		24°	Medium	4095 lm	96 lm/W
		36°	Wide	3740 lm	94 lm/W

PHOTOMETRIC DIAGRAMS FOR 35W

15° Spot



24° Medium



36° Wide

