

MOUNTING INSTRUCTION

PENDANT E14 / HANGING LIGHT

SIZE | WEIGHT (approx.)

S 1,5–2,5 kg | M 2–4 kg | L 3–5 kg | XL 4–6 kg

XXL 5–8 kg | XXXL 6–9 kg

ELOA
UNIQUE LIGHTS

ELOA – UNIQUE LIGHTS GMBH
REINBECKSTRASSE 13
D - 12459 BERLIN

WWW.ELOA.CO
ELOA@ELOA.CO
T +49 30 23 90 61 82

MEASUREMENT SINGLE-CANOPY

Height: 35mm
Diameter: 80mm



0. WORK PREPARATION

0.1 Assembly

- Assembly is carried out by a skilled person and requires an additional assistant.
- ELOA does not assume any liability for damage during installation
- Mounting should only be carried out in a dry environment.

0.2 Substrate

- Assess the substrate of the ceiling for the selection of the optimal fasteners.
- Depending on the substrate, different types of fasteners are required!

0.3 Installation material

- Check the luminaire as delivered (according to the delivery bill).
- The cables come with double insulation.
- For installation you need an allen key 2 mm (enclosed).

1. SWITCH OFF POWER!

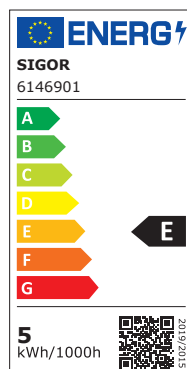
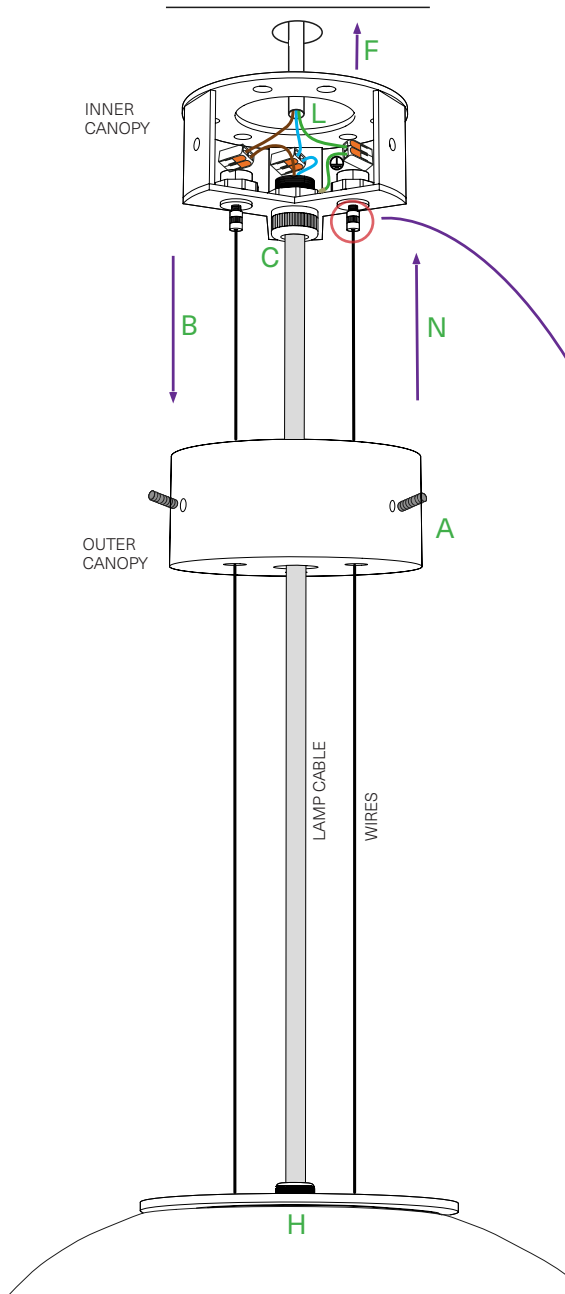
- Before you start with the installation switch off the power.
- Secure against intervention by third parties.

2. PREPARATION

- A** Loosen all 3 grub screws alongside the canopy by using an allen key.
- B** Move the outer part of the canopy carefully down to the glass sitting plate.
- C** Loosen the 3 strain reliefs of the lamp cables by turning them by hand.

3. LENGTH ADJUSTMENT

- D** Find the right place for the lamp and define the hanging height.



The drawings are for illustrative purposes only and to assist with installation. The installation should only be carried out by a licensed electrician.

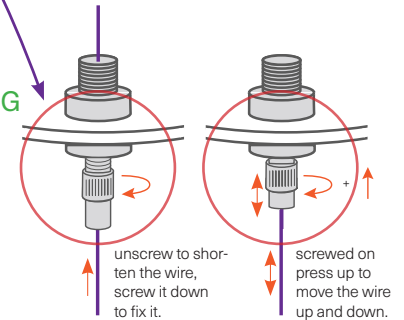
- E** Remove the glass if it is too heavy (see instructions).

4. CANOPY ON CEILING

- F** Mount the inner part of the canopy to the ceiling with appropriate screws.

5. ADJUSTMENT OF THE WIRES

- G** For luminaires from size L (4kg) on: Roughly adjust the suspension wires so that the glass fitting plate **H** is parallel to the floor and at the desired height:



- I** Fine adjustment: Reattach the glass for further adjustment to the desired length.

6. POWER CABLE

- J** Pull the cable until desired length. It has to be at least as long as the wires, a longer cable effects a S-shape.
- K** Cut the cable if it's too long.
- L** Connect the power cables (greenyellow, brown, cyan) with insulation screw joint or use WAGO clamps (greenyellow to greenyellow, brown to brown, cyan to cyan)

- M** Stow all cables and wires in the inner canopy.

7. FINAL STEP

- N** Finally you move the outer canopy up and fix it with the grub screws **A**. Also fix the screw on the lamp cable **C**.

MOUNTING INSTRUCTION

PENDANT E14 / HANGING LIGHT

SIZE | WEIGHT (approx.)

S 1,5–2,5 kg | M 2–4 kg | L 3–5 kg | XL 4–6 kg

XXL 5–8 kg | XXXL 6–9 kg

ELOA
UNIQUE LIGHTS

ELOA – UNIQUE LIGHTS GMBH
REINBECKSTRASSE 13
D - 12459 BERLIN

WWW.ELOA.CO
ELOA@ELOA.CO
T +49 30 23 90 61 82

MEASUREMENT SINGLE-CANOPY

Height: 35mm
Diameter: 80mm



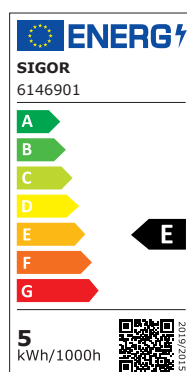
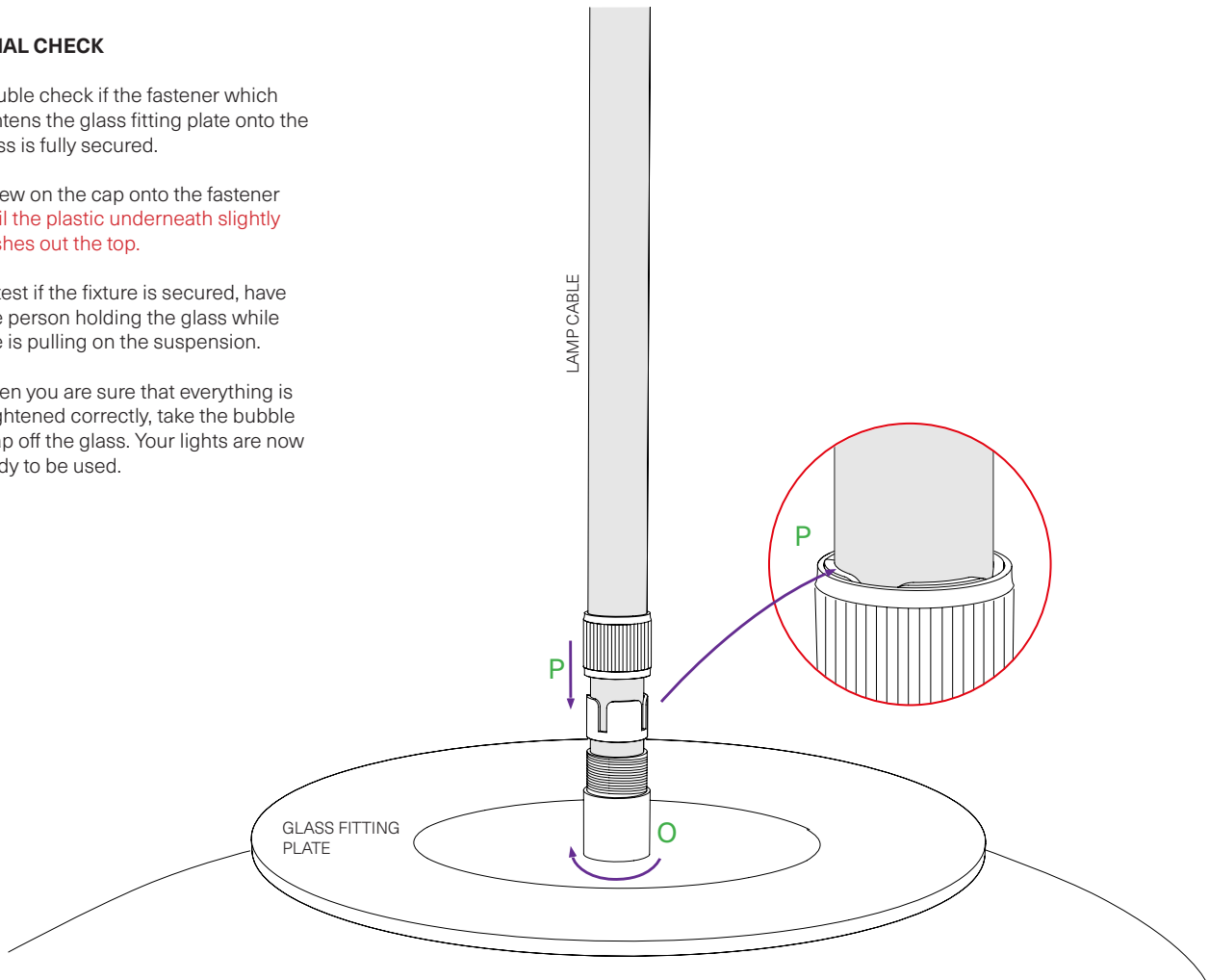
Protection Class 1

8. FINAL CHECK

- O** Double check if the fastener which tightens the glass fitting plate onto the glass is fully secured.
- P** Screw on the cap onto the fastener until the plastic underneath slightly pushes out the top.

To test if the fixture is secured, have one person holding the glass while one is pulling on the suspension.

When you are sure that everything is tightened correctly, take the bubble wrap off the glass. Your lights are now ready to be used.



The drawings are for illustrative purposes only and to assist with installation. The installation should only be carried out by a licensed electrician.

Update: 03.05.2024 // ChMa