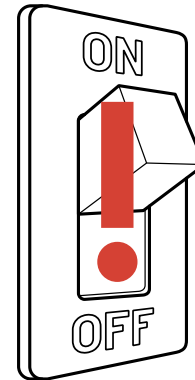


## 1. First things first...

- Make sure that the power is switched **OFF** before beginning the installation
- Installation must be carried out by a qualified electrician
- This product must only be used at 220-250V and 50Hz
- Track can be cut with a saw



## 2. Mechanical ballast

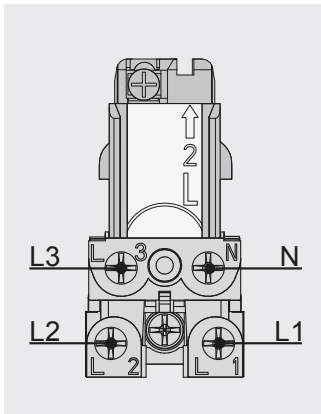
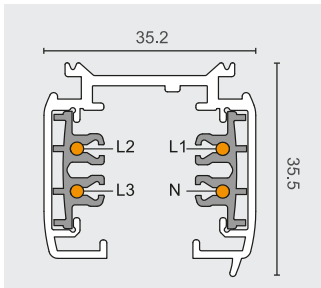
- Track should be screw mounted at every metre
- Track spot modules should be mounted according to the mechanical ballast in Figure 1. (below)
- For electrical connection attach:
  - the live wire (black/brown) to L1, L2, L3
  - the neutral wire (blue) to N
  - the earth wire on the earth clamp



Figure 1.

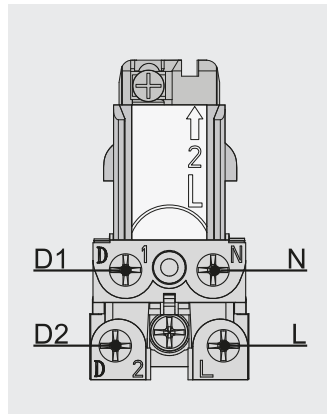
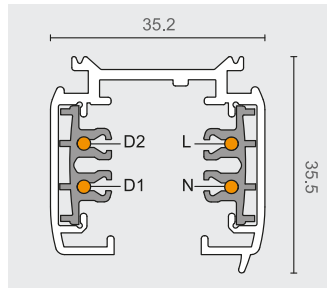
### 3. Track diagrams

**3-Circuit Track**



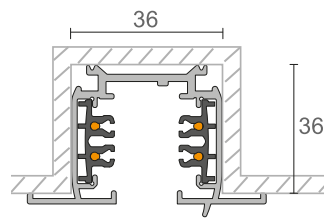
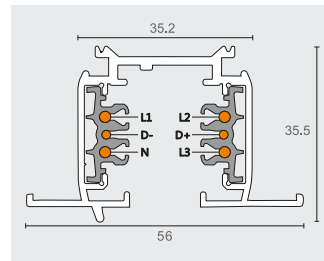
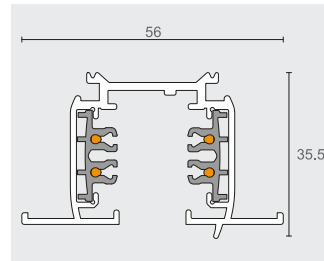
Live wire: L1, L2, L3  
Neutral wire: N

**1-Circuit Track DALI**  
compatible with standard  
3-Circuit track

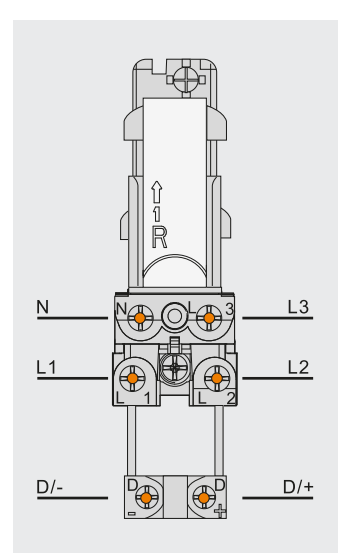
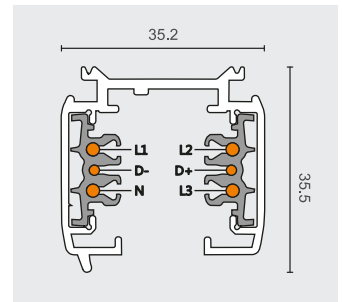


Live wire: L  
Neutral wire: N  
DALI: D1, D2

**3-Circuit Track DALI Recessed**



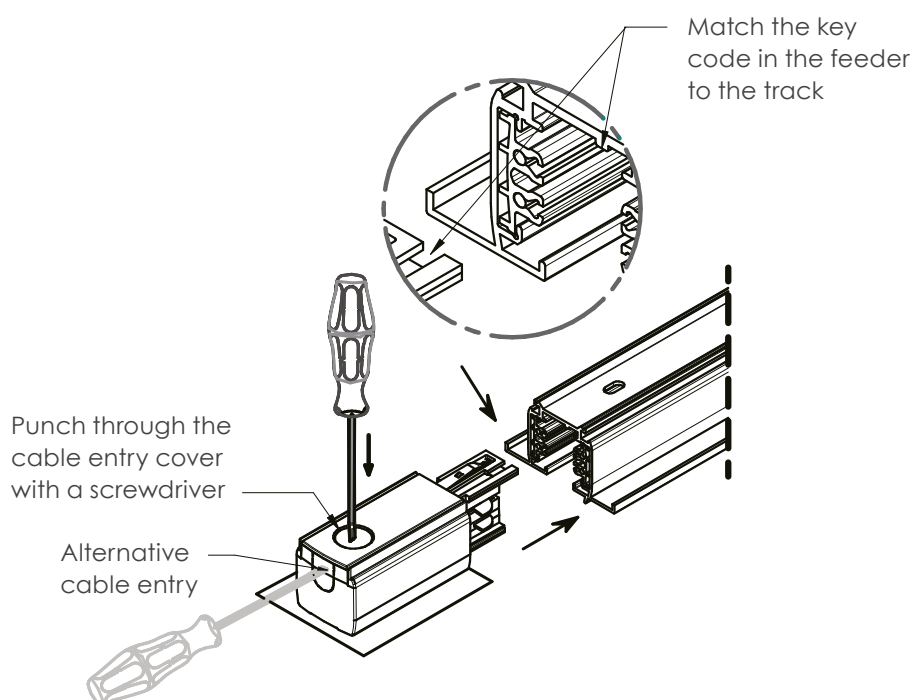
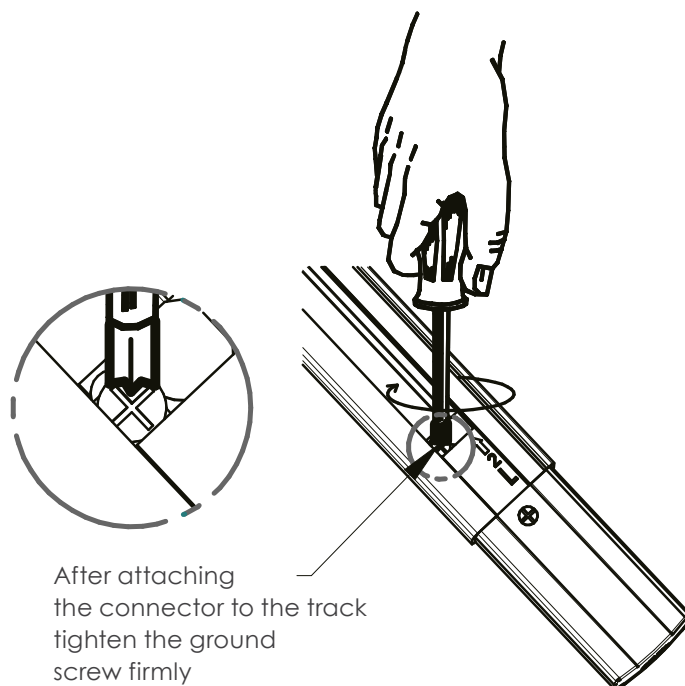
**3-Circuit Track DALI**



Live wire: L1, L2, L3  
Neutral wire: N  
DALI: D1, D2

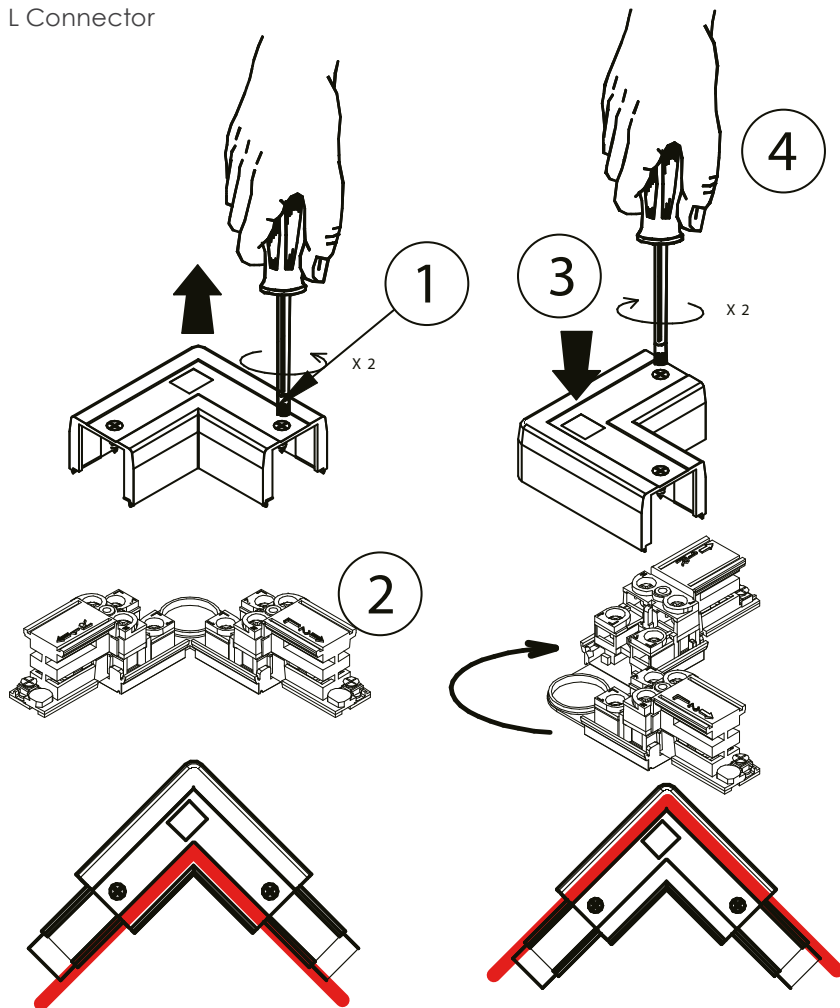


## 4. Installation



## 4. Installation - reversible connectors

### L Connector

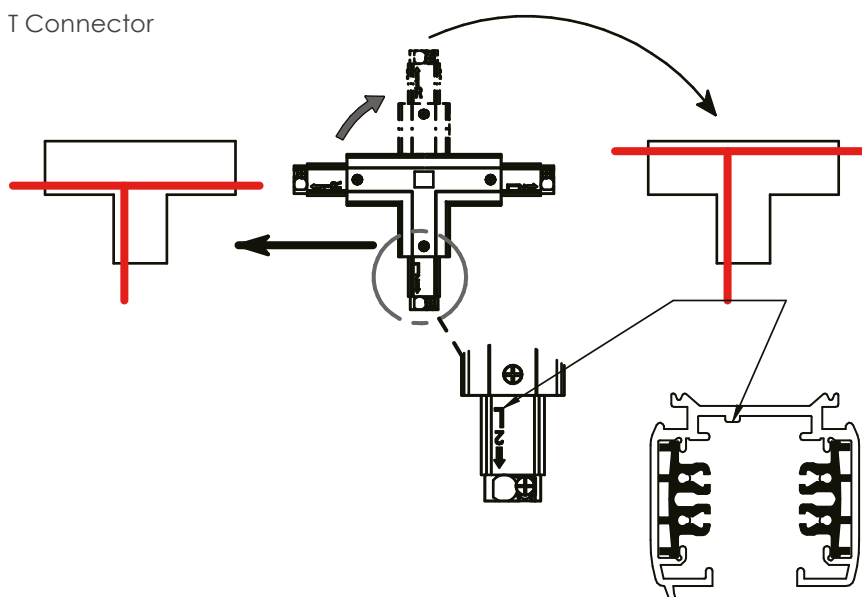


The L and T connectors can be reversed to match the profile direction.

1. Unscrew and remove the cover
2. Turn the L connector 180° or the T connector 90°
3. Replace the cover and tighten the screws

Ensure that the profile directions match up on all connection points

### T Connector

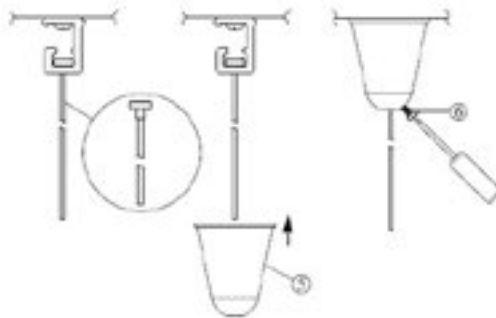
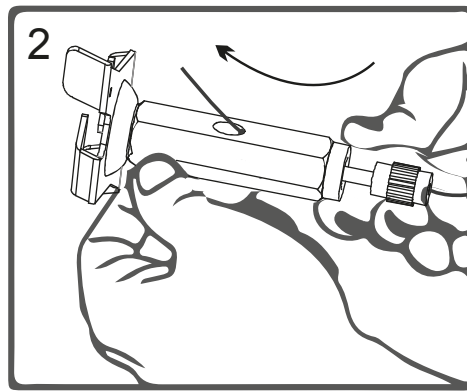
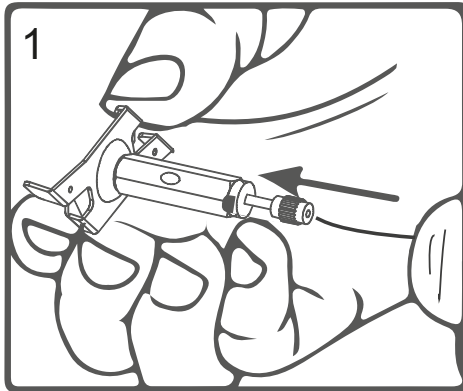


**IMPORTANT!**

Only feed at one point on a system.

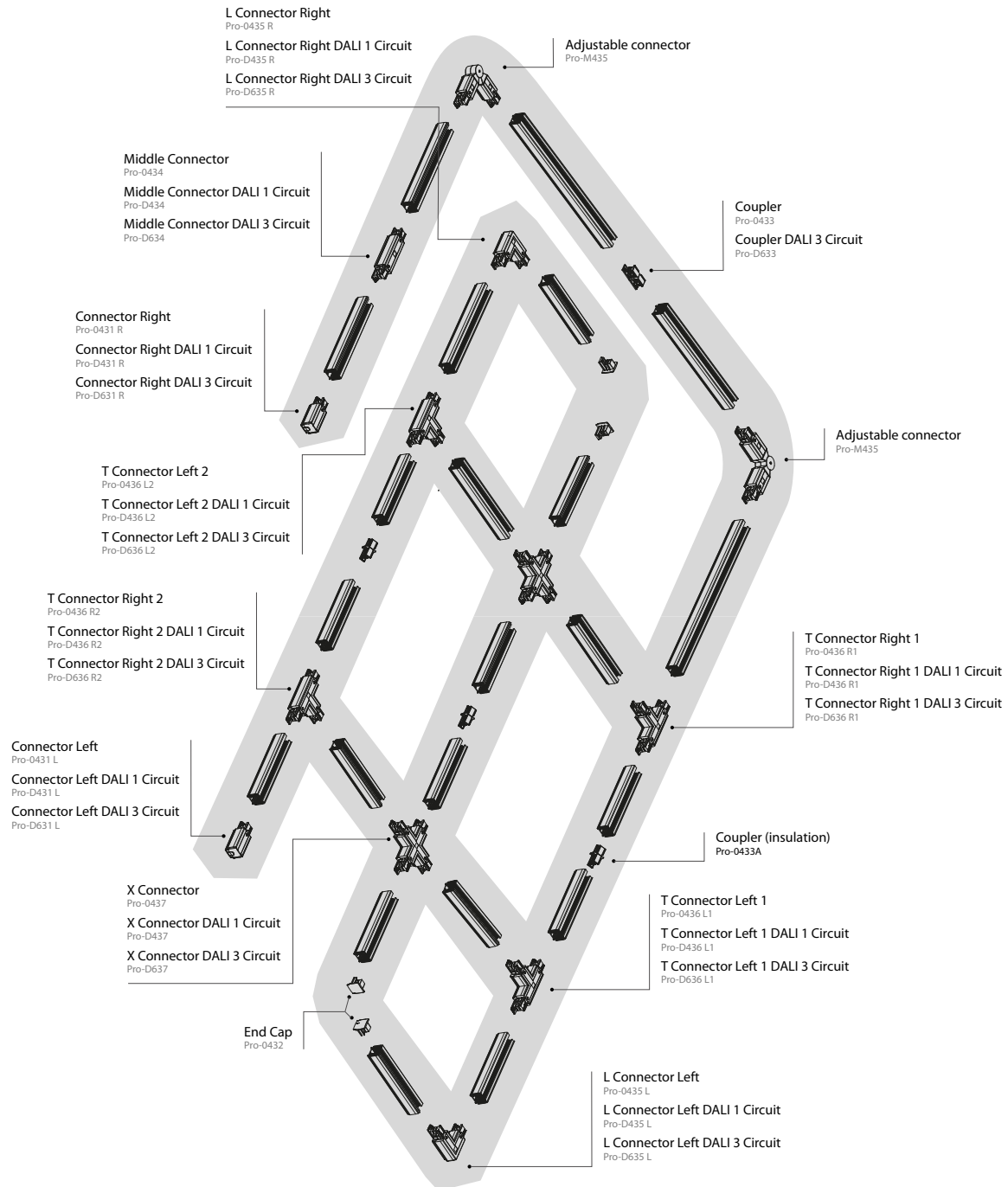
Never leave an open end - always cover with an end cap.

## 4. Installation - wire suspension kit



Suspension kit only suitable for use with the surface mounted profile.

## 5. Example composition



☎ 01189 889414

✉ sales@darklightdesign.com

🌐 darklightdesign.com

Darklight Design  
Unit 10 Brookside Business Centre  
Church Road  
Swallowfield  
Reading  
Berkshire  
RG7 1TH