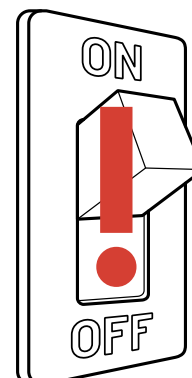


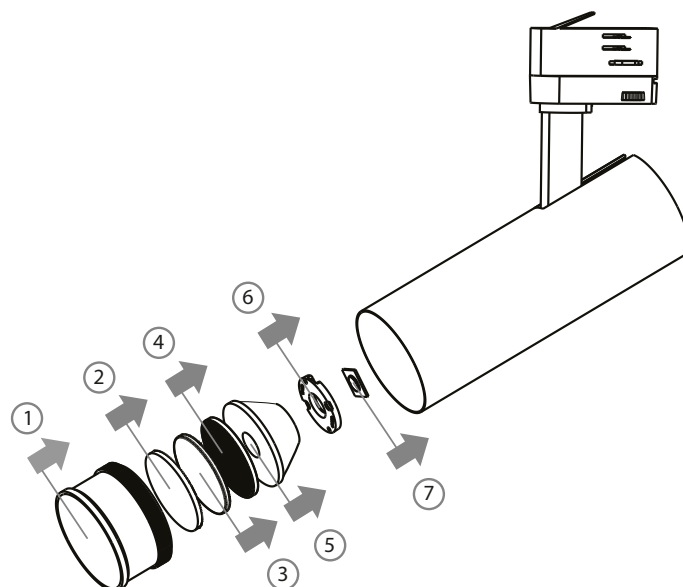
1. First things first...

- Make sure that the power is switched **OFF** before beginning the installation
- Installation must be carried out by a qualified electrician
- This product must only be used at the specified voltage and frequency



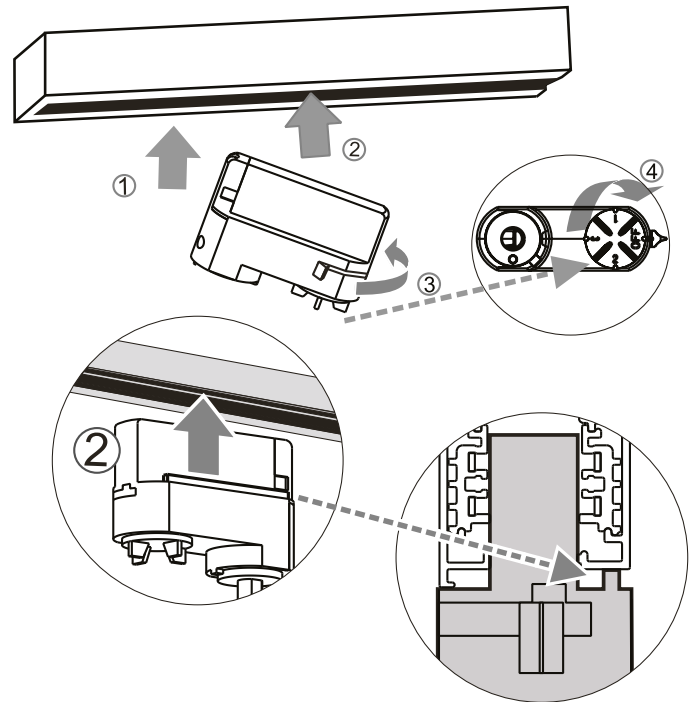
2. Lamp assembly

- Ensure that the lamp components are installed in the correct order (if required)



3. Lamp installation

- Clip the track adapter into the track opening
- Make sure that the track adapter is installed in the correct direction



4. Final adjustments

- Position the spot light module in the required position along the track
- Rotate and tilt the spot light to angle the beam in the desired direction
- Simply change the spot light position, rotation and tilt as needed in the future

