

MITO

RP-E-1702



**Rakumba**

## MATERIALS & FINISHES\*

\*Being products of nature, American Ash and Carrara Marble are prone to variations in colour, pattern and density, and can include small voids or inclusions. Rakumba is highly selective in choosing pieces that are of excellent cosmetic quality that celebrate the natural beauty of these materials.



AMERICAN ASH



STAINED AMERICAN ASH



CARRARA MARBLE

## MODELS



FLOOR DOUBLE  
RP-E-1702-F



FLOOR SINGLE  
RP-E-1702-F

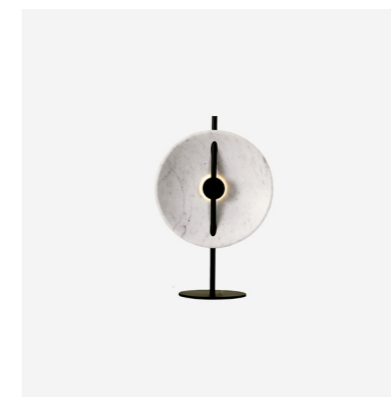
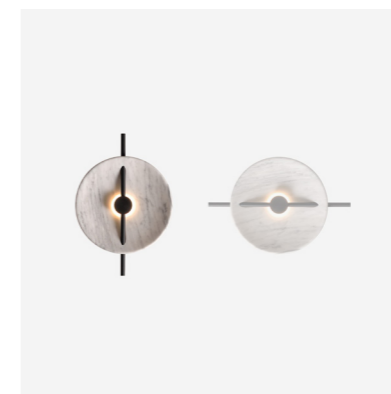


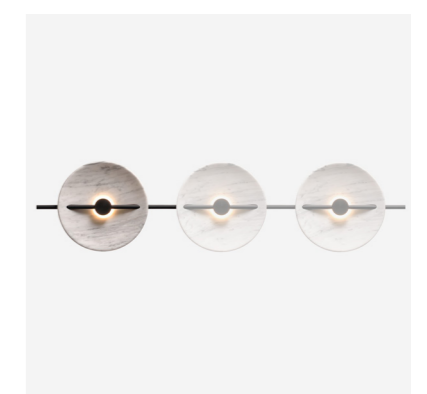
TABLE  
RP-E-1702-T



PENDANT  
RP-E-1702-P



WALL INDIVIDUAL  
RP-E-1702-W



WALL CONNECTED SET  
RP-E-1702-W  
UP TO 5 MODULES



# OPTIONS

## FLOOR / TABLE

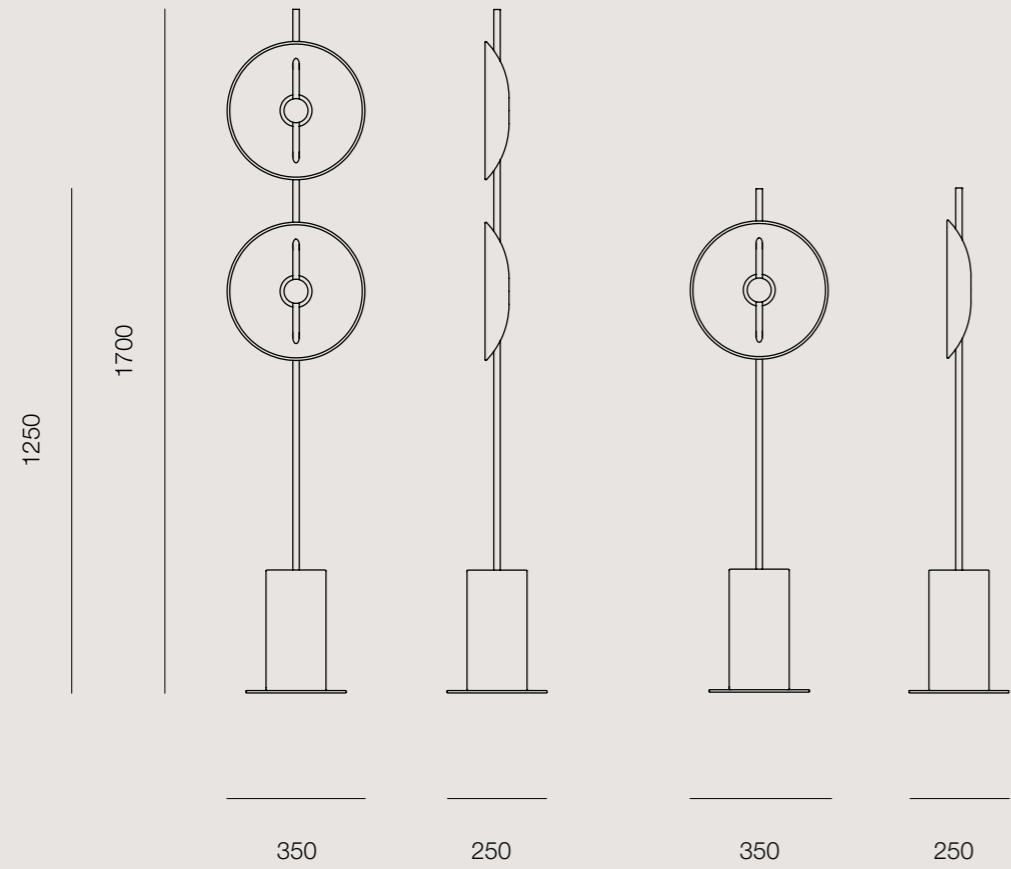
- MODEL:
- FLOOR SINGLE
  - FLOOR DOUBLE
  - TABLE
- 
- FINISH:
- AMERICAN ASH
  - STAINED AMERICAN ASH
  - CARRARA MARBLE
- 
- DIMMING:
- INLINE SWITCH DIMMING/CORD AND PLUG

## WALL / PENDANT

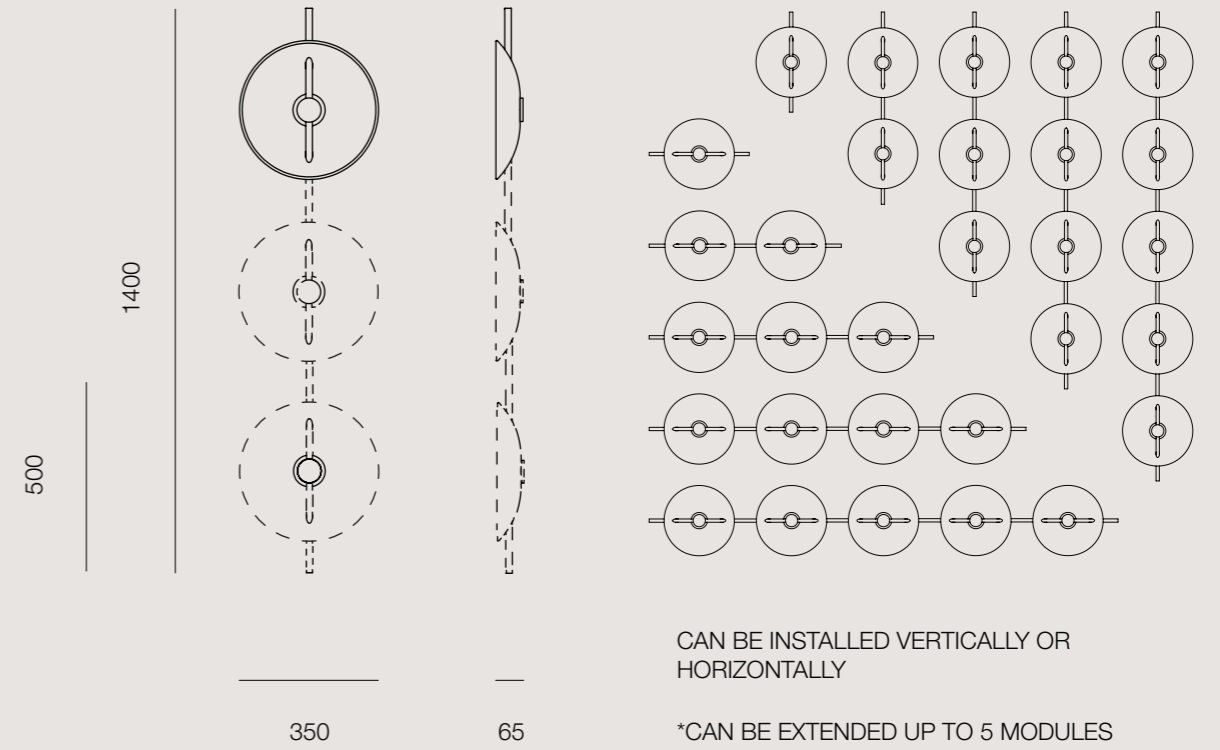
- MODEL:
- WALL INDIVIDUAL
  - WALL CONNECTED SET
  - PENDANT
- 
- FINISH:
- AMERICAN ASH
  - STAINED AMERICAN ASH
  - CARRARA MARBLE
- 
- DIMMING:
- NON DIMMABLE (REMOTE DRIVER)
  - PHASE CUT/TRIAC (REMOTE DRIVER)
  - DALI/SWITCH-DIM (REMOTE DRIVER)
  - 1-10V (REMOTE DRIVER)
  - CASAMBI WIRELESS (REMOTE DRIVER)
- 
- SUSPENSION LENGTH  
(TO BOTTOM OF PENDANT):
- 1.5M
  - 2M
  - CUSTOM (MAX 2M)

# DIMENSIONS

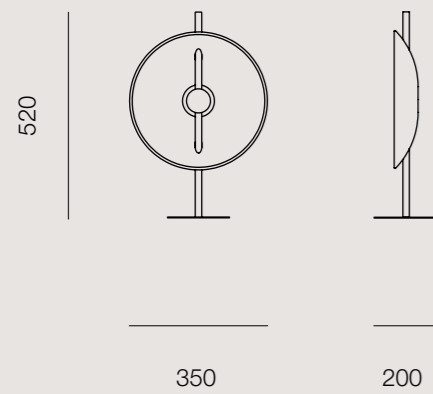
## FLOOR



## WALL CONNECTED SET\*

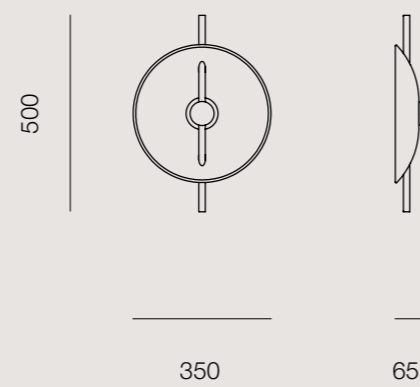


## TABLE

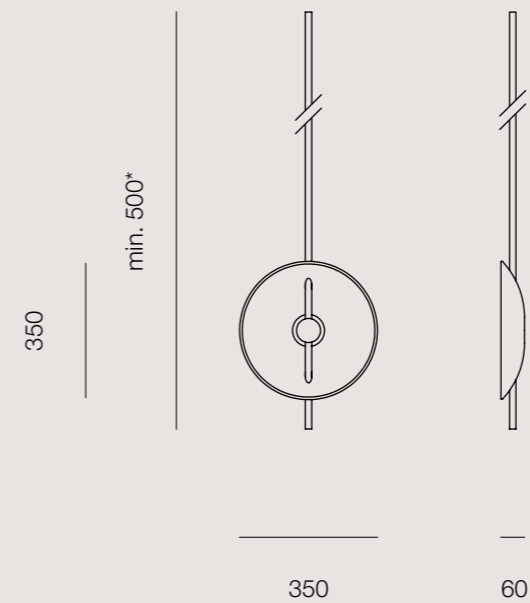


## WALL INDIVIDUAL

CAN BE INSTALLED VERTICALLY OR HORIZONTALLY



## PENDANT



\*CUSTOM LENGTH AVAILABLE  
MIN. LENGTH 500  
MAX. LENGTH 2000



# DATA

RP-E-1702	FLOOR LAMP		TABLE LAMP	WALL SCONCE (PER UNIT)	PENDANT
	SINGLE	DOUBLE			
LIGHTSOURCE	INTEGRATED LED				
POWER	3.9W	7.8W	3.9W	3.9W	3.9W
LUMENS (SOURCE)	400lm	800lm	400lm	400lm	400lm
LUMENS (DELIVERED)	-	-	-	-	-
COLOUR TEMPERATURE	3000K				
CRI	CRI90				
PRIMARY VOLTAGE (TO DRIVER)	220-240VAC				
SECONDARY VOLTAGE (TO FITTING)	24VDC CONSTANT VOLTAGE			-	-
PRODUCT WEIGHT (TIMBER)	8kg	9.5kg	3kg	1.5kg	2kg
PRODUCT WEIGHT (CARRARA)	22kg	27kg	7kg	5.5kg	6kg
PACKED WEIGHT (TIMBER)	9kg	10.5kg	4kg	2kg	2.5kg
PACKED WEIGHT (MARBLE)	23.5kg	28.5kg	8kg	6.5kg	7kg
PACKED DIMENSIONS (TIMBER)	1 @ 33x33x109mm 1 @ 43x46x13mm	1 @ 33x33x109mm 2 @ 43x46x13mm	1 @ 34x24x6cm 1 @ 43x46x13cm	1 @ 43x46x13cm	1 @ 10x10x200cm 1 @ 43x46x13cm
PACKED DIMENSIONS (MARBLE)	1 @ 33x49x113cm	1 @ 33x49x113cm	1 @ 34x24x6cm 1 @ 43x46x13cm	1 @ 43x46x13cm	1 @ 10x10x200cm 1 @ 43x46x13cm
DRIVER LOCATION	CORDSET DRIVER			REMOTE*	REMOTE
IP RATING	IP20				
L70	50,000 HOURS				
APPROVALS	AUSTRALIA, EUROPE, AMERICA				

\*STANDARD SINGLE DRIVER POWERS UP TO 5 LIGHT MODULES (LARGER DRIVERS FOR 5-15 MODULES AVAILABLE ON REQUEST)