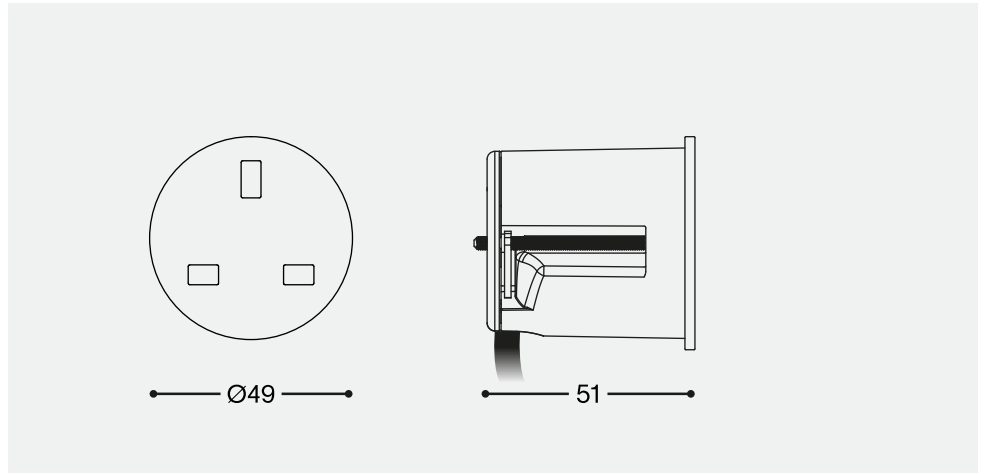
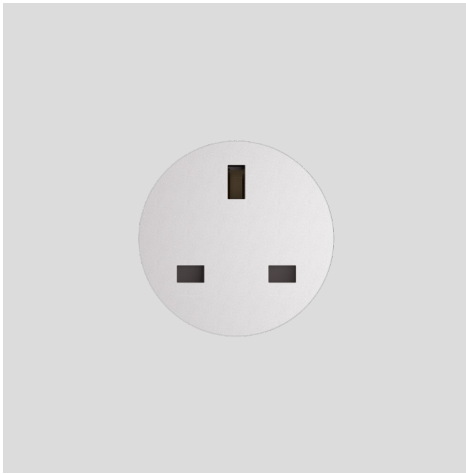


unifit wired electrical outlet type G



outlet specs

application	13A/250V
location	indoor
cable length	1.5 m
plug type	type G
flush-mounting depth	51 mm
number of gangs	1
back box depth	no back box required
installation hole	Ø44
panel thickness	min. 12 mm - max. 40 mm
flush mount countersink	Ø49.2 x 2.3 mm
overall dimensions	Ø49
IP, IK rating	IP20 IK06
marking	CE - UKCA - BS1363
earth terminal	yes
switched	no
other	patent pending

order number

outlet without cover

wired	8800 - 5040
-------	-------------

cover ring

black	8800 - 5043
cream	8800 - 5042
white	8800 - 5041